

Form 19381

( 140 )

Printed in U. S. A.

# LIST OF PARTS



MACHINES  
Nos. 231-33, 231-34  
and 231-35

---

**THE SINGER MANUFACTURING COMPANY**

## INSTRUCTIONS FOR OILING

---

Lift out the arm reservoir gauge and fill the oil reservoir to the level mark on the gauge. Run the machine a few minutes, then check the oil level and, if necessary, fill to the mark on the gauge.

Remove the screw plug on the balance wheel and fill the reservoir practically to the top. THIS OIL LEVEL SHOULD NEVER BE ALLOWED TO GO BELOW THE HOLE AT THE CENTER OF THE ARM SHAFT.

Apply about 5 drops of oil to each of the three oil cups for the ball bearings and to the oil cup on the idler pulley beneath the balance wheel.

Place a drop of oil once a day in the oil hole directly above the nipper.

When the machine is first started, put a few drops of oil in the top of the needle bar guide pin over the needle bar.

Thereafter, when the machine is in continuous use, replenish the oil supply about twice a week.

Use only "Singer Stainless Oil for High Speed Sewing Machines".

Copyright, U. S. A., 1939 and 1940

by The Singer Manufacturing Co.

All Rights Reserved for all Countries

ALTERATIONS IN  
**FORM 19381**  
LIST OF PARTS  
FOR  
**MACHINES Nos. 231-33 to 231-35**

Plate No. 23098—Change “139096” to read “139095” and  
Change “139095” to read “139096”

Plate No. 23099—Change “139096” to read “139095” and  
Change “139095” to read “139096”

Plate No. 23100—Change “139096” to read “139095” and  
Change “139095” to read “139096”

**THE SINGER MANUFACTURING COMPANY**

# INDEX

---

	Page
Accessories.....	23
Belt Guards.....	23
Foot Lifter and Starting Treadle Parts.....	23
Front Planks.....	25
Idlers.....	25
Lap Seam Fellers.....	27
Machine Cushions.....	27
Machine No. 231-33.....	5
Machine No. 231-34.....	17
Machine No. 231-35.....	20
Numerical List of Parts.....	29
Thread Unwinder (for Six Cones).....	27
Thread Unwinder Spool Rests.....	28

## INSTRUCTIONS FOR ORDERING

In ordering from this list, use **ONLY** the part **NUMBER** in the **FIRST** column.

The number stamped on a Sewing Machine Part is in every case the number of the single part only.

Every combination of parts sent out as such has its specific number, which, although not stamped on the parts, must be used when ordering the combination.

Each number always indicates the **SAME PART** in whatever list it appears, or for whatever machine.

The letters after some of the numbers indicate the style of finish only, as follows:

- A-Hardened, Polished, Nickel Plated and Buffed
- A.A-Buffed and Chromium Plated
- A.B-Hardened, Polished, Buffed and Chromium Plated
- A.C-Brown Baking Enamel Finish
- A.D-Gray Baking Enamel Finish
- A.E-Hardened, Bright Rumbled and Nickel Plated
- A.F-Hardened, Bright Rumbled, Nickel Plated, Bright Rumbled and Chromium Plated
- B-Polished, Nickel Plated and Buffed
- C-Hardened Only
- C.R-Hardened and Merlized
- D-Polished Only
- E-Soft, Not Polished
- F-Hardened and Polished
- F.J-Hardened, Polished and Nickel Plated
- G-Bright Rumbled and Nickel Plated
- H-Blue
- J-Nickel Plated Only
- K-Hardened and Nickel Plated
- L-Brass Plated
- M-Oxidized
- N-Japanned, Dull
- P-Japanned, Bright
- P.P-Wrinkle Finish
- R-Merlized
- S-Cadmium Plated
- T-Copper Plated
- T.A-Hardened, Polished, Copper and Nickel Plated and Buffed
- T.B-Copper and Nickel Plated and Polished
- T.J-Copper and Nickel Plated Only
- T.K-Hardened, Copper and Nickel Plated
- T.L-Copper and Brass Plated
- T.M-Copper Plated and Oxidized
- U-Zinc Plated
- V-Silver Plated
- W-Polished and Nickel Plated
- X-Black Oxide, for Iron and Steel
- X.C-Hardened and Black Oxide, for Iron or Steel
- Y-Black Nickel Plated Only
- Z-Chromium Plated
- Z.A-Hardened, Polished, Nickel Plated, Buffed and Chromium Plated
- Z.B-Polished, Nickel Plated, Buffed and Chromium Plated
- Z.C-Hardened and Chromium Plated
- Z.D-Polished and Chromium Plated
- Z.G-Bright Rumbled, Nickel Plated, Bright Rumbled and Chromium Plated
- Z.J-Nickel and Chromium Plated
- Z.T-Copper and Chromium Plated

These letters **MUST BE USED** when they appear in the list; and **AFTER** the number as in the list.

In this series:

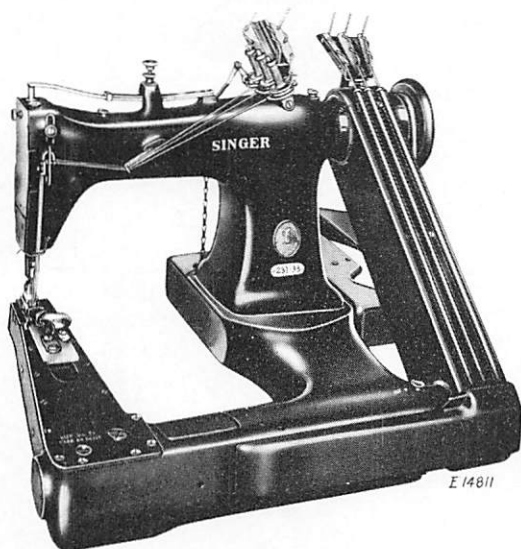
- 1 to 1500, 50001 to 51500 and 140001 to 142000 are Screw Numbers
- 1501 to 1800 and 51501 to 51800 are Nut Numbers
- 1801 to 2000 and 51801 to 52000 are Roller Numbers
- 2001 to 50000 and 52001 to 140000 and 142001 to 190000 are Sewing Machine Parts, 190001 and upward are numbers of Electrical Parts.

The figures in the second column refer only to the plates, illustrating the parts, and are **NOT TO BE USED** in ordering.

Parts marked with an asterisk (\*) are furnished only when repairs are made at factory..

When ordering parts which differ as to Gauge (the distance between seams) the Gauge, as well as the Number must be given on order.

LIST OF PARTS COMPLETE  
FOR



MACHINE No. 231-33

For Lap Seam Felling Work Shirts, Pajamas, Etc., of light weight materials. The machine has Three needles, three loopers. Feed off the arm two-thread chain-stitch. Gauges,  $\frac{3}{32}$  inch to  $\frac{3}{16}$  inch between each needle, in steps of  $\frac{1}{64}$  inch. Drop Feed. Arm and bed rotary shafts are equipped with ball bearings. An oiling system automatically oils all the principal bearings and moving parts of the feed and looper mechanism. The needle bar driving mechanism is automatically oiled by an oil cup (sight feed) located on the balance wheel end of the rotary shaft. Needle bar stroke  $1\frac{1}{16}$  inch. Length of stitch 8 to 22 to the inch. Speed up to 4000 R. P. M. according to the material being stitched.

No.	Plate	Name
*139349	-----	Arm with 15404 and two 15405.....
8582	23096	" Dowel Pin.....
50608R	23093	" Hole Plug Screw (for access to Arm Rotary Shaft Crank Set Screw.....
139002	23093	Arm Rotary Shaft.....
139225	-----	" " " 139002 with 139226.....
150483	23093	" " " Ball Bearing (back)....
139003	23093	" " " " " " Case
139004	23093	" " " " " " "
		Nut.....

## PARTS FOR MACHINE No. 231-33

No.	Plate	Name
50422C	23093	Arm Rotary Shaft Ball Bearing (back)Case Set Screw.....
68350	23093	Arm Rotary Shaft Ball Bearing (back) Oil Cup.....
131319	23093	Arm Rotary Shaft Ball Bearing (back) Oil Cup Oil Pad (braided cotton).....
139005	23093	Arm Rotary Shaft Ball Bearing (back) Spacing Collar.....
139006	23093	Arm Rotary Shaft Ball Bearing (front)...
68350	23093	" " " " " " Oil Cup.....
131319	23093	Arm Rotary Shaft Ball Bearing (front)Oil Cup Oil Pad (braided cotton).....
139007	23093	Arm Rotary Shaft Ball Bearing (front)Oil Retainer (back).....
139008	23093	Arm Rotary Shaft Ball Bearing (front)Oil Retainer (front).....
139009	23093	Arm Rotary Shaft Crank with two each 1036C and 1149C.....
139226	-----	Arm Rotary Shaft Crank 139009 with 139103.....
1149C	23093	Arm Rotary Shaft Crank Set Screw.....
51185F	23093	" " " Screw.....
139010	23093	" " " Sprocket Wheel with two each 201254C and 202253.....
201254C	23093	Arm Rotary Shaft Sprocket Wheel Set Screw.....
202253	23093	Arm Rotary Shaft Sprocket Wheel Spring Flange.....
116E	23096	Arm Screw.....
139011	23093	Balance Wheel, 2 in. pulley, with two 51283C.....
51283C	23093	Balance Wheel Set Screw.....
*139249	-----	Bed.....
139251	23097	" Cover with 139253 and two 50411E....
139252	23097	" " Gasket (cork).....
139253	23097	" " " Clamping Plate.....
50411E	23097	" " " " " Screw...
50608R	23097	" " Hole Plug Screw.....
139017	23097	" " " " " Washer.....
50004C	23097	" " Screw.....
139337	23096	" Extension.....
783E	23096	" " Screw.....
50608R	23093	" Oil Drain Plug Screw.....
139017	23093	" " " " " Washer.....
139022	23097	" " Gauge.....
139025	23093	" Rotary Shaft.....
139026	23093	" " " Ball Bearing (intermediate).....
139028	23093	Bed Rotary Shaft Ball Bearing (intermediate) Sleeve with two 462C.....



No.	Plate	Name
462C	23093	Bed Rotary Shaft Ball Bearing (intermediate) Sleeve Set Screw.....
132231	23093	Bed Rotary Shaft Ball Bearing (left)....
139030	23093	" " " " " " " Cover
139031	23093	" " " " " " " "
		Gasket.....
202R	23093	Bed Rotary Shaft Ball Bearing (left) Cover Screw.....
150483	23093	Bed Rotary Shaft Ball Bearing (right)...
139032	23093	" " " " " " " Case
139004	23093	" " " " " " " "
		Nut.....
50422C	23093	Bed Rotary Shaft Ball Bearing (right) Case Set Screw.....
68350	23093	Bed Rotary Shaft Ball Bearing (right)Oil Cup.....
131319	23093	Bed Rotary Shaft Ball Bearing (right)Oil Cup Oil Pad (braided cotton).....
139033	23093	Bed Rotary Shaft Ball Bearing (right) Spacing Collar.....
249311	23093	Bed Rotary Shaft Belt.....
139286	23096	" " " " " Guard with two 200363C.....
139035	23096	Bed Rotary Shaft Belt Guard Cover.....
139036	23096	" " " " " " " 139035 with 139037.....
139037	23096	Bed Rotary Shaft Belt Guard Cover Gasket (cork).....
200092F	23096	Bed Rotary Shaft Belt Guard Cover Screw.
200363C	23096	" " " " " " Set Screw...
1480D	23093	" " " " " Screw (left).....
50040D	23093	" " " " " (right).....
139038	23093	" " " " Sprocket Wheel with 202253 and two 201254C.....
201254C	23093	Bed Rotary Shaft Sprocket Wheel Set Screw.....
202253	23093	Bed Rotary Shaft Sprocket Wheel Spring Flange.....
139039	23098	Face Plate (lower half).....
139040	23098	" " " " " Gasket (cork)...
391J	23098	" " " " " Screw.....
139333	23098	" " (upper half).....
29234	23098	" " " " " Position Plate..
1053E	23098	" " " " " " "
		Screw.....
51224W	23098	Face Plate (upper half) Thumb Screw....
139043	23098	Feed Bar.....
139256	23098	" " Hinge Pin (eccentric).....
443C	23098	" " " " " Set Screw.....
1520J	23098	" " " " " " Lock Nut...



## PARTS FOR MACHINE No. 231-33

No.	Plate	Name
139046	23098	Feed Bar Hinge Pin Slide Block.....
139340	23101	" Dog, 20 teeth (14 teeth to the inch) for 3/32-3/32 in. gauge, for 139346.
139347	23101	Feed Dog, 20 teeth (14 teeth to the inch) for 7/64-7/64 in. and 1/8-1/8 in. gauges, for 139348.....
1255E	23101	Feed Dog Screw.....
51061C	23098	" Eccentric Body Set Screw.....
7071	23098	" " Clamping Washer.....
217J	23098	" " " " Screw....
139052	23098	Feed Eccentric (adjustable) complete, Nos. 217J, 7071, 50328C and two 51061C
139053	23098	Feed Eccentric Slide Block.....
139054	23098	" Lifting Eccentric Forked Connection
157J	23098	" " " " " "
		Screw.....
139055	23098	Feed Lifting Eccentric Forked Connection Slide Block.....
50328C	23098	Feed Regulating Screw.....
139338	23101	Looper (back).....
Note: When ordering Loopers, state gauge required.		
139339	23101	Looper (front).....
139288	23101	" (intermediate).....
139058	23098	" Avoiding Eccentric with two 50150C
139059	23098	" " " Forked Connection
139060	23098	" " " " " "
		Bracket with 456C.....
122E	23098	Looper Avoiding Eccentric Forked Con- nection Bracket Screw.....
139257	23098	Looper Avoiding Eccentric Forked Con- nection Crank (forked) with 1324C.....
1324C	23098	Looper Avoiding Eccentric Forked Con- nection Crank Clamping Screw.....
139055	23098	Looper Avoiding Eccentric Forked Con- nection Slide Block.....
50150C	23098	Looper Avoiding Eccentric Set Screw....
935C	23098	" Clamping Screw.....
139062	23098	" Driving Arm with 1047C.....
139063	-----	" " " 139062 with 139066 and 139070.....
139064	23098	Looper Driving Arm Connecting Link.....
139065	23098	" " " " " Hinge Pin.....
1047C	23098	Looper Driving Arm Connecting Link Hinge Pin Set Screw.....
139066	23098	Looper Driving Arm Connection with four 175E.....
175E	23098	Looper Driving Arm Connection Cap (lower) Screw.....
175E	23098	Looper Driving Arm Connection Cap (upper) Screw.....

No.	Plate	Name
139069	23098	Looper Driving Arm Connection Crank with 1057E.....
139070	23098	Looper Driving Arm Connection Crank Ball Screw Stud.....
1520J	23098	Looper Driving Arm Connection Crank Ball Screw Stud Nut.....
128551	23098	Looper Driving Arm Connection Crank Ball Screw Stud Nut Lock Washer.....
1057E	23098	Looper Driving Arm Connection Crank Clamping Screw.....
139352	23098	Looper Driving Arm Hinge Stud.....
443C	23098	" " " " " Set Screw.
139072	23098	" Eccentric and Feed Lifting Eccentric with two 1259C.....
1259C	23098	Looper Eccentric and Feed Lifting Eccentric Set Screw.....
139073	23098	Looper Eccentric Connection with 1047C..
139074	23098	" " " Slide Block.
139075	23098	" " " " "
		Screw Stud.....
139076	23098	Looper Eccentric Connection Slide Block Screw Stud Collar with two 1253C....
1253C	23098	Looper Eccentric Connection Slide Block Screw Stud Collar Set Screw.....
456C	23098	Looper Eccentric Connection Slide Block Screw Stud Set Screw.....
139411	23098	Looper Eccentric Connection Slide Block Screw Stud Washer (leather).....
139264	23097	Looper Gate (left).....
139271	23097	" " (right).....
139272	23097	" " Retaining Spring.....
190J	23097	" " " " Screw.....
139289	23098	" Holder with 172E, 935C and 26276.
172E	23098	" " Clamping Screw.....
139094	23098	" " Shaft.....
139095	23098	" " " Bushing (back).....
435C	23098	" " " " " Set Screw.....
139096	23098	Looper Holder Shaft Bushing (front)....
435C	23098	" " " " " Set Screw.....
139097	23098	Looper Holder Shaft Collar with 1454E...
1454E	23098	" " " " Clamping Screw
26276	23098	" Position Pin.....
139381	23098	" Thread Guide.....
206J	23098	" " " Screw.....
139099	23098	Needle Bar (hollow).....
139291	-----	Needle Bar complete, for 3/32-3/32 in. to 3/16-3/16 in. gauges, Nos. 128215 and 139099.....

## PARTS FOR MACHINE No. 231-33

No.	Plate	Name
139101	23098	Needle Bar Bushing (lower).....
1133E	23098	" " " " Set Screw....
139102	23098	" " Connecting Link.....
139103	-----	" " " " 139102 with 139105 and 139108.....
139105	23093	Needle Bar Connecting Link Hinge Stud...
139239	23093	" " " " " " Oil Pad (braided cotton).....
1036C	23093	Needle Bar Connecting Link Hinge Stud Set Screw.....
139229	23098	Needle Bar Connecting Link Spacing Wash- er, thickness .004", .008" or .012".
Note: When ordering No. 139229, state thickness re- quired.		
139108	23098	Needle Bar Connecting Stud with 175E....
175E	23098	" " " " Clamping Screw
139110	23098	" " " " Oil Pad (wick)
139111	23098	" " " " Slide Block...
139112	23098	" " " " " "
1057C	23098	Needle Bar Connecting Stud Slide Block Guide.....
59456	23098	Needle Bar Connecting Stud Slide Block Guide Screw Washer.....
139113	23098	Needle Bar Guide.....
52146	23098	" " " Oil Pad (inside)braided cotton.....
139114	23098	Needle Bar Guide Oil Pad(outside) felt..
1133E	23098	" " " Set Screw.....
139115	23098	" " Thread Guide.....
330W	23098	" " " " Screw.....
59019	23098	" " " " " Washer....
128215	23098	" Clamp with three 1498F.....
139335	23101	" Guard, for 3/32-3/32 in. to 9/64-9/64 in. gauges.....
139292	23102	Needle Guard, for 5/32-5/32 in. to 3/16- 3/16 in. gauges.....
139120	23098	Needle Guard Holder.....
453C	23098	" " " Set Screw.....
1167E	23098	" " Screw.....
1498F	23098	" Set Screw.....
139121	23093	Oil Cup Body.....
139122	23093	" " " Cap (transparent).....
139123	23093	" " " " Gasket (cork).....
139124	23093	" " " " Retainer.....
131C	23093	" " " " " Screw.....
50617B	23093	" " " Oil Plug Screw.....
139125	23093	" " " " " " Washer.....
139126	23093	Oil Cup complete, for oiling Needle Bar Connecting Link, Nos. 50617B, 139121 to 139125 and four 131C.....

No.	Plate	Name
139127	23093	Oil Cup Gasket (soft leather).....
139128	23098	Presser Bar with 25303.....
25303	23098	" " Ball, size 1/4 in.....
139129	23098	" " Bushing (lower).....
1133E	23098	" " " " Set Screw...
38456	23098	" " " (upper).....
1133E	23098	" " " " Set Screw...
139130	23098	" " Lifting Bracket with 1057E..
1057E	23098	" " " " Clamping Screw
139131	23107	" " " " Lifter.....
807D	23107	" " " " " Hinge Screw.....
139132	23107	Presser Bar Lifting Lever.....
802D	23107	" " " " Hinge Screw...
139133	23107	" " " " Spring.....
38467	23107	" " Spring (flat).....
131198	23107	" " " (auxiliary).....
38468	23107	" " " Stud.....
139341	23101	" Foot Plate.....
139219	23101	" " " Hinge Stud.....
665J	23101	" " " " " Position Screw.....
139342	23101	Presser Foot Shank.....
139343	23101	" " Yielding Heel.....
139344	23101	" " " " Connection...
18055	23101	" " " " " Hinge Pin.....
9610	23101	Presser Foot Yielding Heel Connection Spring.....
18055	23101	Presser Foot Yielding Heel Hinge Pin....
139345	23101	Presser Foot (triple hinged) complete, for 3/32-3/32 in. and 7/64-7/64 in. gauges, Nos. 9610, 139341 to 139344 and two each 665J, 18055 and 139219.
139406	23101	Presser Foot Plate.....
128390	23101	" " " Hinge Stud.....
665J	23101	" " " " " Position Screw.....
139402	23101	Presser Foot Shank.....
139403	23101	" " Yielding Heel.....
139404	23101	" " " " Connection...
18055	23101	" " " " " Hinge Pin.....
131534	23101	Presser Foot Yielding Heel Connection Spring.....
18055	23101	Presser Foot Yielding Heel Hinge Pin....
139407	23101	Presser Foot (triple hinged) complete, for 1/8-1/8 in. to 3/16-3/16 in. gauges, Nos. 131534, 139402 to 139404, 139406 and two each 665J, 18055 and 128390.....

No.	Plate	Name
190J	23101	Presser Foot Screw.....
574W	23107	Pressure Regulating Thumb Screw.....
1539W	23107	" " " " Lock Nut
139302	23107	Tension (looper thread) Body and Thread Guide with 13538.....
430C	23107	Tension (looper thread) Body Set Screw..
139276	23107	" " " Tension Plate...
13538	23107	" " " " " Po- sition Pin.....
51486C	23107	Tension (looper thread) Regulating Screw
1423J	23107	" " " " " "
		Cap Screw.....
139140	23107	Tension (looper thread) Regulating Screw Nut with 42639.....
42639	23107	Tension (looper thread) Regulating Screw Nut Position Pin.....
139303	23107	Tension (looper thread) Spring.....
139305	23107	Tension (looper thread) complete, Nos. 1423J, 51486C, 139140, 139302, 139303 and four 139276.....
68002	23107	Tension (needle thread) Bracket.....
376J	23107	" " " " Screw...
2102	23107	" " " Disc.....
51570C	23107	" " " Regulating Thumb Nut.....
32572	23107	Tension (needle thread) Releasing Disc..
54988	23107	" " " " Pin...
68003	23107	" " " " Shaft.
54872	23107	" " " " "
		Crank with 624C.....
139143	23107	Tension (needle thread) Releasing Shaft Crank Connecting Link.....
110C	23107	Tension (needle thread) Releasing Shaft Crank Connecting Link Hinge Screw...
624C	23107	Tension (needle thread) Releasing Shaft Crank Set Screw.....
316C	23107	Tension (needle thread) Releasing Shaft Stop Screw.....
1547J	23107	Tension (needle thread) Releasing Shaft Stop Screw Nut.....
50326C	23107	Tension (needle thread) Screw Stud.....
59539	-----	" " " " " 50326C with 51570C.....
131741	23107	Tension (needle thread) Spring.....
59537	23107	" " " " Bushing (large).....
59538	23107	Tension (needle thread) Spring Bushing (small).....
131696	23107	Tension (needle thread) Thread Guide (double).....

No.	Plate	Name
139144	23093	Thread (looper) Take-up with two 1266C..
139145	23093	" " " Cover.....
139146	23093	" " " " Hinge Pin.
139147	23093	" " " " Lock Spring
51282J	23093	" " " " " "
		Screw.....
1250C	23093	Thread (looper) Take-up Cover Position Screw Stud.....
1266C	23093	Thread (looper) Take-up Set Screw.....
139148	23093	" " " Stripper.....
139149	23093	" " " " Plate..
139279	23093	" " " " " "
		Bracket.....
139397	23093	Thread (looper) Take-up Stripper Plate Bracket 139279 with 219J, 237J, 240J, 7071, 51282J, 139145 to 139149, 139152 to 139154, 139157, 139315 to 139317 and two each 203J, 207J, 665J and 17022.....
175E	23093	Thread (looper) Take-up Stripper Plate Bracket Screw.....
207J	23093	Thread (looper) Take-up Stripper Plate Screw.....
139152	23093	Thread (looper) Take-up Stripper Plate Thread Guard.....
665J	23093	Thread (looper) Take-up Stripper Plate Thread Guard Screw.....
203J	23093	Thread (looper) Take-up Stripper Screw..
17022	23093	" " " " " "
		Washer.....
139153	23093	Thread (looper) Take-up Thread Guard (fibre).....
139154	23093	Thread (looper) Take-up Thread Guide (left).....
237J	23093	Thread (looper) Take-up Thread Guide (left) Screw.....
139315	23093	Thread (looper) Take-up Thread Guide (right) for one thread.....
139316	23093	Thread (looper) Take-up Thread Guide (right) for two threads.....
219J	23093	Thread (looper) Take-up Thread Guide (right) Screw.....
7071	23093	Thread (looper) Take-up Thread Guide (right) Screw Washer.....
139317	23093	Thread (looper) Take-up Thread Separator
139157	23093	" " " " " "
		Thread Retainer.....
240J	23093	Thread (looper) Take-up Thread Separator Thread Retainer Screw.....
139318	23104	Thread (looper) Thread Guide (front of bed) with 139321 and two 139320.....

No.	Plate	Name
139169	23104	Thread (looper) Thread Guide (front of bed) Cover.....
139170	23104	Thread (looper) Thread Guide (front of bed) Cover 139169 with 139171 and two 229J.....
139171	23104	Thread (looper) Thread Guide (front of bed) Cover Catch.....
229J	23104	Thread (looper) Thread Guide (front of bed) Cover Catch Screw.....
139172	23104	Thread (looper) Thread Guide (front of bed) Cover Hinge Plate.....
176J	23104	Thread (looper) Thread Guide (front of Bed) Cover Hinge Plate Screw.....
12162	23104	Thread (looper) Thread Guide (front of bed) Cover Hinge Pin.....
139173	23105	Thread (looper) Thread Guide (front of bed) Cover Lock Spring.....
18191	23104	Thread (looper) Thread Guide (front of bed) Cover Lock Spring Position Pin.
139174	23105	Thread (looper) Thread Guide (front of bed) Cover Lock Spring Reinforcing Plate.....
202J	23105	Thread (looper) Thread Guide (front of bed) Cover Lock Spring Screw.....
139319	23104	Thread (looper) Thread Guide (front of bed) Plate with 18191.....
50362J	23104	Thread (looper) Thread Guide (front of bed) Screw (left).....
226J	23104	Thread (looper) Thread Guide (front of bed) Screw (right).....
139320	23104	Thread (looper) Thread Guide (front of bed) Thread Retaining Pin (long)....
139321	23104	Thread (looper) Thread Guide (front of bed) Thread Retaining Pin (short)...
139322	23104	Thread (looper) Thread Guide (front of bed) Thread Retainer.....
50411J	23104	Thread (looper) Thread Guide (front of bed) Thread Retainer Screw.....
139323	23104	Thread (looper) Thread Guide (front of bed) complete, Nos. 226J, 50362J, 139318, 139319, 139322 and two 50411J
139158	23105	Thread (looper) Thread Guide (intermediate).....
139330	23105	Thread (looper) Thread Guide (intermediate) Bracket.....
229J	23105	Thread (looper) Thread Guide (intermediate) Bracket Screw.....
50342J	23105	Thread (looper) Thread Guide (intermediate) Screw.....
139158	23105	Thread (looper) Thread Guide (left).....



No.	Plate	Name
50342J	23105	Thread (looper) Thread Guide (left)Screw
139158	23105	" " " " (right).....
50342J	23105	" " " " " Screw
139324	23105	" " " " Bracket....
176J	23105	" " " " " Screw
139325	23105	" " " " " Support
202J	23105	" " " " " "
		Screw (lower).....
237J	23105	Thread (looper) Thread Guide Bracket
		Support Screw (upper).....
139162	23105	Thread (looper) Thread Tube (belt guard)
		Bushing.....
203J	23105	Thread (looper) Thread Tube (belt guard)
		Seat Screw.....
139327	23105	Thread (looper) Thread Tube (belt guard)
		with six 139162.....
139176	23098	Thread (looper) Thread Tube (side of
		bed).....
139177	23105	Thread (needle) Eyelet.....
207J	23105	" " " Screw.....
139367	23105	" " " (side of arm)....
190J	23105	" " " " " Screw
139328	23105	" " Take-up with 202E.....
202E	23105	" " " Clamping Screw..
68008	23105	" " " Plate.....
68164	23105	" " " " Spring....
1449J	23105	" " " " " Screw
139329	23105	Thread (needle) Take-up complete, Nos.
		1449J, 68008, 68164 and 139328.....
139198	23105	Thread (needle) Take-up (auxiliary).....
54242	23105	" " " " Clamp
176J	23105	" " " " " "
		Screw.....
139158	23105	Thread (needle) Thread Guide (intermedi-
		ate).....
139330	23105	Thread (needle) Thread Guide (intermedi-
		ate) Bracket.....
229J	23105	Thread (needle) Thread Guide (intermedi-
		ate) Bracket Screw.....
50342J	23105	Thread (needle) Thread Guide (intermedi-
		ate) Screw.....
139158	23105	Thread (needle) Thread Guide (left).....
229J	23105	" " " " " Screw
139158	23105	" " " " (right)....
229J	23105	" " " " " Screw
139331	23105	" " " " Bracket....
139181	23098	" Cutter (knife).....
50318W	23098	" " Screw.....
139182	23098	" " Thread Guide (inside)....
139183	23098	" " " " (outside)...

## PARTS FOR MACHINE No. 231-33

No.	Plate	Name
139346	23101	Throat Plate, for 3/32-3/32 in. gauge, for 139340.....
139348	23101	Throat Plate, for 7/64-7/64 in. and 1/8- 1/8 in. gauges, for 139347.....
691F	23101	Throat Plate Screw.....
*15404	-----	Trade Mark.....
15405	-----	" " Rivet.....

**Genuine Singer Needles should be used  
in Singer Machines.  
These Needles and their Containers  
are marked with the  
Company's Trade Mark "SIMANCO." 1**

**Needles in Containers marked  
"For Singer Machines"  
are not Singer made needles. 2**

## MACHINE No. 231-34

For Lap Seam Felling Work Shirts, Overalls, Etc., of medium weight materials. The machine has Three needles, three loopers. Feed off the arm two-thread chain-stitch. Gauges,  $\frac{1}{8}$  inch to  $\frac{3}{16}$  inch between each needle, in steps of  $\frac{1}{64}$  inch. Upper Thread Nipper and Slack Thread Controller. Drop Feed. Arm and bed rotary shafts are equipped with ball bearings. An oiling system automatically oils all the principal bearings and moving parts of the feed and looper mechanism. The needle bar driving mechanism is automatically oiled by an oil cup (sight feed) located on the balance wheel end of the rotary shaft. Needle bar stroke  $1\frac{3}{16}$  inch. Length of stitch 6 to 18 to the inch. Speed up to 3800 R. P. M. according to the material being stitched.

NOTE: THIS MACHINE IS THE SAME AS THE 231-33 MACHINE  
WITH THE FOLLOWING EXCEPTIONS:

No.	Plate	Name
*139282	-----	Arm with 15404 and two 15405, in place of 139349.....
11119	23094	Arm Oil Tube with 52045, for oiling Tension (needle thread) Nipper.....
52045	23094	Arm Oil Tube Packing (wick).....
139283	23094	" Rotary Shaft, in place of 139002....
139284	-----	" " " 139283 with 139228 and 139308, in place of 139225.....
139199	23094	Arm Rotary Shaft Crank with two each 1036C and 1149C, in place of 139009.
139228	-----	Arm Rotary Shaft Crank 139199 with 139103, in place of 139226.....
139334	23102	Feed Dog, 22 teeth (14 teeth to the inch) for $\frac{1}{8}$ - $\frac{1}{8}$ in. gauge for 139336, for work shirts.....
139287	23102	Feed Dog, 14 teeth (10 teeth to the inch) for $\frac{1}{8}$ - $\frac{1}{8}$ in. to $\frac{3}{16}$ - $\frac{3}{16}$ in. gauges, for 139332, for work shirts and light overall work.....
139410	23099	Presser Bar Bushing (lower) in place of 139129.....
139406	23102	Presser Foot Plate.....
128390	23102	" " " Hinge Stud.....
665J	23102	" " " " " Position Screw.....
139402	23102	Presser Foot Shank.....
139403	23102	" " Yielding Heel.....
139404	23102	" " " " Connection...
18055	23102	" " " " " Hinge Pin.....

No.	Plate	Name
131534	23102	Presser Foot Yielding Heel Connection Spring.....
18055	23102	Presser Foot Yielding Heel Hinge Pin....
139407	23102	Presser Foot (triple hinged) complete for work shirts and similar work for 1/8-1/8 in. to 3/16-3/16 in. gauges, Nos. 131534, 139402 to 139404, 139406 and two each 665J, 18055 and 128390.
139394	23106	Slack Thread Regulator.....
139300	23106	" " " Connecting Link Connecting Stud with 453C.....
453C	23106	Slack Thread Regulator Connecting Link Connecting Stud Set Screw.....
139299	23106	Slack Thread Regulator Holder.....
131405	23106	" " " " Crank with 171E.....
1423J	23106	Slack Thread Regulator Holder Crank Cap Screw.....
171E	23106	Slack Thread Regulator Holder Crank Clamping Screw.....
131406	23106	Slack Thread Regulator Holder Crank Connecting Link.....
217J	23106	Slack Thread Regulator Screw.....
139307	23106	Tension (needle thread) Nipper Body and Thread Guide with 13538.....
1149C	23106	Tension (needle thread) Nipper Body Set Screw.....
139308	23094	Tension (needle thread) Nipper Cam with two 456C.....
456C	23094	Tension (needle thread) Nipper Cam Set Screw.....
139309	23106	Tension (needle thread) Nipper Stud....
139310	-----	" " " " " 139309 with 5684 and 139311.....
1698R	23106	Tension (needle thread) Nipper Stud Nut.
13216	23106	" " " " " Spring
59456	23106	" " " " " Washer
139311	23106	" " " " " Wear- ing Sleeve.....
5684	23106	Tension (needle thread) Nipper Stud Wearing Sleeve Pin.....
139276	23106	Tension (needle thread) Nipper Tension Plate.....
13538	23106	Tension (needle thread) Nipper Tension Plate Position Pin.....
139313	23106	Tension (needle thread) Nipper complete, Nos. 1698R, 13216, 59456, 139307, 139310 and four 139276.....
139395	23106	Thread (needle) Take-up with 202E, in place of 139328.....

No.	Plate	Name
139396	23106	Thread (needle) Take-up complete, Nos. 1449J, 68008, 68164 and 139395, in place of 139329.....
139393	23106	Thread (needle) Take-up (auxiliary) in place of 139198.....
131496	23106	Thread (needle) Take-up (auxiliary) Clamp, in place of 54242.....
997J	23106	Thread (needle) Take-up (auxiliary) Clamp Screw, in place of 176J.....
139416	23099	Thread Cutter (knife) in place of 139181
139417	23099	" " " Guard.....
139336	23102	Throat Plate for 1/8-1/8 in. gauges, for 139334.....
139332	23102	Throat Plate for 1/8-1/8 in. to 3/16-3/16 in. gauges, for 139287.....

## MACHINE No. 231-35

For Lap Seam Felling Work Shirts, Overalls, Etc., of medium and medium heavy weight materials. The machine has Three needles, three loopers. Feed off the arm two-thread chain-stitch. Gauges,  $\frac{1}{8}$  inch to  $\frac{3}{16}$  inch between each needle, in steps of  $\frac{1}{64}$  inch. Upper Thread Nipper and Slack Thread Controller. Drop Feed. Arm and bed rotary shafts are equipped with ball bearings. An oiling system automatically oils all the principal bearings and moving parts of the feed and looper mechanism. The needle bar driving mechanism is automatically oiled by an oil cup (sight feed) located on the balance wheel end of the rotary shaft. Needle bar stroke  $1\frac{5}{16}$  inch. Length of stitch 6 to 18 to the inch. Speed up to 3600 R. P. M. according to the material being stitched.

NOTE: THIS MACHINE IS THE SAME AS THE 231-33 MACHINE  
WITH THE FOLLOWING EXCEPTIONS:

No.	Plate	Name
*139282	-----	Arm with 15404 and two 15405, in place of 139349.....
11119	23095	Arm Oil Tube with 52045, for oiling Tension (needle thread) Nipper.....
52045	23095	Arm Oil Tube Packing (wick).....
139283	23095	" Rotary Shaft, in place of 139002....
139374	-----	" " " 139283 with 139308 and 139376, in place of 139225.....
139375	23095	Arm Rotary Shaft Crank with 1036C, 1259C and two 1149C, in place of 139009...
139376	-----	Arm Rotary Shaft Crank 139375 with 139103, in place of 139226.....
139418	23095	Balance Wheel, 3 in. pulley, with two 51283C, in place of 139011.....
139334	23102	Feed Dog, 22 teeth (14 teeth to the inch) for $\frac{1}{8}$ - $\frac{1}{8}$ in. gauge, for 139336, for work shirts.....
139287	23102	Feed Dog, 14 teeth (10 teeth to the inch) for $\frac{1}{8}$ - $\frac{1}{8}$ in. to $\frac{3}{16}$ - $\frac{3}{16}$ in. gauges, for 139332, for light over-all work.....
139400	23103	Feed Dog, 12 teeth (8 teeth to the inch) for $\frac{1}{8}$ - $\frac{1}{8}$ in. to $\frac{3}{16}$ - $\frac{3}{16}$ in. gauges, for 139332, for heavy over-all work.....
139377	23100	Needle Bar (hollow) in place of 139099..
139380	-----	Needle Bar complete, for $\frac{1}{8}$ - $\frac{1}{8}$ in. to $\frac{3}{16}$ - $\frac{3}{16}$ in. gauges, Nos. 128215 and 139377, in place of 139291.....

No.	Plate	Name
139379	23100	Needle Bar Bushing (lower) in place of 139101.....
1259C	23095	Needle Bar Connecting Link Hinge Stud Set Screw (short).....
139412	23100	Needle Bar Guide, in place of 139113....
139410	23100	Presser Bar Bushing (lower) in place of 139129.....
139401	23103	Presser Foot Plate.....
128390	23103	" " " Hinge Stud.....
665J	23103	" " " " " Position Screw.....
139402	23103	Presser Foot Shank.....
139403	23103	" " Yielding Heel.....
139404	23103	" " " " Connection...
18055	23103	" " " " " Hinge Pin.....
131534	23103	Presser Foot Yielding Heel Connection Spring.....
18055	23103	Presser Foot Yielding Heel Hinge Pin....
139405	23103	Presser Foot (triple hinged) complete for 1/8-1/8 in. to 3/16-3/16 in. gauges, Nos.131534, 139401 to 139404 and two each 665J, 18055 and 128390.
139406	23102	Presser Foot Plate.....
128390	23102	" " " Hinge Stud.....
665J	23102	" " " " " Position Screw.....
139402	23102	Presser Foot Shank.....
139403	23102	" " Yielding Heel.....
139404	23102	" " " " Connection...
18055	23102	" " " " " Hinge Pin.....
131534	23102	Presser Foot Yielding Heel Connection Spring.....
18055	23102	Presser Foot Yielding Heel Hinge Pin....
139407	23102	Presser Foot (triple hinged) complete for work shirts and similar work for 1/8-1/8 in. to 3/16-3/16 in. gauges, Nos.131534, 139402 to 139404, 139406 and two each 665J, 18055 and 128390.
139394	23106	Slack Thread Regulator.....
139300	23106	" " " Connecting Link Connecting Stud with 453C.....
453C	23106	Slack Thread Regulator Connecting Link Connecting Stud Set Screw.....
139299	23106	Slack Thread Regulator Holder.....
131405	23106	" " " " Crank with 171E.....
1423J	23106	Slack Thread Regulator Holder Crank Cap Screw.....



## PARTS FOR MACHINE No. 231-35

No.	Plate	Name
171E	23106	Slack Thread Regulator Holder Crank Clamping Screw.....
131406	23106	Slack Thread Regulator Holder Crank Con- necting Link.....
217J	23106	Slack Thread Regulator Screw.....
139307	23106	Tension (needle thread) Nipper Body and Thread Guide with 13538.....
1149C	23106	Tension (needle thread) Nipper Body Set Screw.....
139308	23095	Tension (needle thread) Nipper Cam with two 456C.....
456C	23095	Tension (needle thread) Nipper Cam Set Screw.....
139309	23106	Tension (needle thread) Nipper Stud....
139310	-----	" " " " " 139309 with 5684 and 139311.....
1698R	23106	Tension (needle thread) Nipper Stud Nut.
13218	23106	" " " " " Spring
59456	23106	" " " " " Washer
139311	23106	" " " " " Wear- ing Sleeve.....
5684	23106	Tension (needle thread) Nipper Stud Wearing Sleeve Pin.....
139276	23106	Tension (needle thread) Nipper Tension Plate.....
13538	23106	Tension (needle thread) Nipper Tension Plate Position Pin.....
139313	23106	Tension (needle thread) Nipper complete, Nos. 1698R,13218,59456,139307,139310 and four 139276.....
139395	23106	Thread (needle) Take-up with 202E, in place of 139328.....
139396	23106	Thread (needle) Take-up complete, Nos. 1449J, 68008, 68164 and 139395, in place of 139329.....
139393	23106	Thread (needle) Take-up (auxiliary) in place of 139198.....
131496	23106	Thread (needle) Take-up (auxiliary)Clamp in place of 54242.....
997J	23106	Thread (needle) Take-up (auxiliary)Clamp Screw, in place of 176J.....
139416	23100	Thread Cutter (knife) in place of 139181
139417	23100	" " " Guard.....
139336	23102	Throat Plate, for 1/8-1/8 in. gauges,for 139334.....
139332	23102	Throat Plate, for 1/8-1/8 in. to 3/16- 3/16 in. gauges, for 139287 and 139400.....

## ACCESSORIES

No.	Plate	Name
120344	23086	Oiler (copper plated) with 120345.....
120345	23086	" Spout, 4 1/2 in. long.....
120440	23086	Screw Driver (large).....
121108	23086	" " (small).....
120341	23086	Tweezers (curved).....
23535	23086	Wrench.....

## BELT GUARDS

No.	Plate	Name
139398	23087	Belt Guard with two 146R, for use with Individual Motors and Low Shaft Power Table.....
139217	23087	Belt Guard with two wood screws 3/4 in. No. 9 R.H., for use with Singer Universal Safety Power Table.....
152004	23087	Belt Guard with two wood screws 1 in. No. 10 R.H.M.F.O. and A. for Series S 39, S 49, S 59 and S 69 Electric Transmitters.....
146R	23087	Belt Guard Screw, for 139398.....

## FOOT LIFTER AND STARTING TREADLE PARTS

FOR INDIVIDUAL MOTORS

No.	Plate	Name
6439	23088	Foot Lifter Chain, 36 in. to 45 in. with 56864 and 56865.....
Note: When ordering No. 6439, state length required.		
4879	23088	Foot Lifter Chain Connecting Link.....
56864	23088	" " " Hook (large).....
56865	23088	" " " " (small).....
150212	23088	" " Treadle.....
150487	23088	Starting Treadle with two 140215C.....
140215C	23088	" " Set Screw.....
150488	23088	" " Shaft.....
150489	23088	" " " Arm with two 140215C.....
140215C	23088	Starting Treadle Shaft Arm Set Screw....
46681	-----	" " " Bracket.....

24 FOOT LIFTER AND STARTING TREADLE PARTS

No.	Plate	Name
60502	23088	Starting Treadle Shaft Bracket 46681 with two wood screws 1 in. No. 14...
150216	23088	Starting Treadle Shaft Collar with two 445C.....
445C	23088	Starting Treadle Shaft Collar Set Screw.
150490	23088	" " Spacing Collar.....
150491	-----	Starting and Foot Lifter Treadle complete, Nos. 4879,6439,150212,150216,150487 to 150490 and two 60502.....

FOOT LIFTER AND STARTING TREADLE PARTS  
FOR UNIVERSAL SAFETY POWER TABLE

No.	Plate	Name
67819	23088	Treadle Pitman Rod (lower).....
67820	23088	" " " (upper).....
80223	23088	" " " Clamp with 361C.....
361C	23088	" " " " Set Screw.....
150208	23088	" " " Spring.....
2762	23088	" " " " Collar with 362C
362C	23088	" " " " " Set Screw
23250	23088	" " " " Washer.....
126684	23088	Treadle Pitman Rod complete, Nos. 2762, 67819,67820,80223 and two each 23250 and 150208.....
150497	23088	Starting and Foot Lifter Treadle with Pitman complete, Nos. 126684 and 150491.....

FOOT LIFTER AND STARTING TREADLE PARTS  
FOR LOW SHAFT POWER TABLE  
FOR UNDER DRIVER NO. 150499

No.	Plate	Name
27639	23089	Treadle Pitman Rod.....
80223	23089	" " " Clamp with 361C.....
361C	23089	" " " " Set Screw.....
60626	23089	Treadle Pitman Rod complete, Nos. 80223 and two 27639.....
150498	23089	Starting and Foot Lifter Treadle with Pitman complete, Nos. 60626 and 150491.....

## FRONT PLANKS

No.	Plate	Name
135060	-----	Front Plank, 1 5/8 in.thick, 19 in.wide, 46 1/2 in.long, for Series 1500,1900 and 2900 Motors, for Universal Electric Transmitter Tables.....
135061	-----	Front Plank, 1 5/8 in.thick, 19 in.wide, 48 in.long, for Series 1500,1900 and 2900 Motors, for Electric Transmitter Tables (cast iron legs).....
135062	-----	Front Plank, 1 5/8 in.thick, 19 in.wide, 46 1/2 in.long, for Series 1700 Motors, for Universal Electric Transmitter Tables.....
135063	-----	Front Plank, 1 5/8 in.thick, 19 in.wide, 48 in. long, for Series 1700 Motors, for Electric Transmitter Tables(cast iron legs).....
135064	-----	Front Plank, 1 5/8 in.thick, 19 in.wide, 46 1/2 in. long, for Series S 39, S 49, S 59 and S 69 Electric Transmitters, for Universal Electric Transmitter Tables.....
135065	-----	Front Plank, 1 5/8 in.thick, 19 in.wide, 48 in. long, for Series S 39, S 49, S 59 and S 69 Electric Transmitters, for Electric Transmitter Tables(cast iron legs).....
135098	-----	Front Plank, 1 5/8 in.thick, 19 in.wide, 46 1/2 in.long, for Universal Safety Power Table.....
135068	-----	Front Plank, 1 5/8 in.thick, 19 in.wide, 46 1/2 in. long, for Universal Low Shaft Power Table.....
135069	-----	Front Plank, 1 5/8 in.thick, 19 in.wide, 48 in. long, for Old Style Low Shaft Power Table.....

## IDLERS

## IDLER

(ADJACENT TO BALANCE WHEEL)

No.	Plate	Name
150480	23090	Bracket with 1448C.....
150481	23090	Pulley.....
150482	23090	" Shaft.....

## IDLER

No.	Plate	Name
150483	23090	Pulley Shaft Ball Bearing.....
150484	23090	" " " " Cover.....
150485	23090	" " " " " Gasket (cork).....
330R	23090	Pulley Shaft Ball Bearing Cover Screw...
144D	23090	" " Cap Screw.....
130328	23090	" " Oil Cup.....
1448C	23090	" " Set Screw.....
150496	23090	Pulley and Shaft complete, Nos. 144D, 150481 to 150485 and four 330R.....
150486	23090	Idler complete, Nos.130328,150480,150496 and two 51183R.....
51183R	23090	Idler Screw for 150486.....

## IDLER

## FOR UNDER THE TABLE

## FOR SINGER UNIVERSAL SAFETY POWER TABLE

No.	Plate	Name
150528	23090	Idler Base with 356C.....
150481	23090	" Pulley.....
150482	23090	" " Shaft.....
150483	23090	" " " Ball Bearing.....
150484	23090	" " " " " Cover...
150485	23090	" " " " " " Gasket (cork).....
330R	23090	Idler Pulley Shaft Ball Bearing Cover Screw.....
150529	23090	Idler Pulley Shaft Bracket (lower) with 168C and 692C.....
692C	23090	Idler Pulley Shaft Bracket (lower)Clamp- ing Screw.....
150530	23090	Idler Pulley Shaft Bracket (upper) with 168C and 692C.....
692C	23090	Idler Pulley Shaft Bracket (upper)Clamp- ing Screw.....
150531	23090	Idler Pulley Shaft Bracket Shaft.....
356C	23090	" " " " " Set Screw
144D	23090	" " " Cap Screw.....
168C	23090	" " " Set Screw.....
150496	23090	Idler Pulley and Shaft complete, Nos. 144D, 150481 to 150485 and four 330R
150532	23090	Idler complete, Nos. 150528 to 150531, two 150496 and three wood screws 1 1/4 in. No. 12 F.H.....
150533	23090	Idler Guard with two wood screws 3/4 in. No. 9 R.H., for 150532.....

## LAP SEAM FELLERS

No.	Plate	Name
121586	23108	Lap Seam Feller (adjustable) on Shank for light and medium weight material, for 231-33 Machine.....
121628	23108	Lap Seam Feller (adjustable) on Shank for medium heavy weight material, for 231-34 and 231-35 Machines.....
121629	23108	Lap Seam Feller on Shank with Yielding Lower Scroll for heavy weight material, for 231-35 Machine.....
121449	23108	Lap Seam Feller Clamping Plate.....
1443B	23108	" " " Screw.....
139366	23108	" " " Slide.....

## MACHINE CUSHIONS

No.	Plate	Name
139190	23086	Machine Cushion (round rubber).....
139191	23086	" Mounting Cushion (moulded rubber)
51069R	23086	" " " Bolt with 51581R
51581R	23086	" " " " Nut.....
2807	23086	" " " " " Washer.
146R	23086	" Screw, for mounting machine to table.....

## THREAD UNWINDER

### FOR SIX CONES

No.	Plate	Name
150364	23109	Base with two 437C.....
150653	23109	Rod.....
437C	23109	" Set Screw.....
150366	23109	Thread Cone Holder.....
164J	23109	" " " Screw.....
19020	23109	" " " " Washer.....
150654	23109	" " " Support for two cones
150367	23109	" " " " " four cones
150655	23109	" " " " Bracket for 150654.....

## THREAD UNWINDER

No.	Plate	Name
51083R	23109	Thread Cone Holder Support Bracket Bolt with 51581R.....
51581R	-----	Thread Cone Holder Support Bracket Bolt Nut.....
51082R	23109	Thread Cone Holder Support Bolt with 51581R, for 150367.....
51581R	-----	Thread Cone Holder Support Bolt Nut.....
150368	23109	" " Steady Wire.....
150656	23109	" Guide for two threads.....
150369	23109	" " " four threads.....
178J	23109	" " Screw.....
150657	23109	Thread Unwinder complete, for inverted cones, Nos. 51082R, 51083R, 150364, 150367, 150369, 150653 to 150656, two 178J, three wood screws 1 1/2 in. No. 16 F.H. and six each 164J, 19020, 150366 and 150368.....

## THREAD UNWINDER SPOOL RESTS

FOR USE WHEN SPOOLS ARE USED IN

PLACE OF CONES OF THREAD

FOR USE WITH THREAD UNWINDER NO. 150657

No.	Plate	Name
150647	23109	Spool Rest with 178J.....
150203	23109	" " Cushion (felt).....
150658	23109	" " Rod for two spool rests.....
150649	23109	" " " " four spool rests.....
178J	23109	" " " Set Screw.....
178J	23109	" " Set Screw.....
150663	23109	Spool Rests complete (for six spools) Nos. 150649, 150658, two 178J and six each 150203 and 150647.....



NUMERICAL  
LIST  
OF PARTS

## NUMERICAL LIST OF PARTS

---

No.	Plate	Name
110C	23107	Tension (needle thread) Releasing Shaft Crank Connecting Link Hinge Screw...
116E	23096	Arm Screw.....
122E	23098	Looper Avoiding Eccentric Forked Connection Bracket Screw.....
131C	23093	Oil Cup Body Cap Retainer Screw for 139126.....
144D	23090	Idler Pulley Shaft Cap Screw for 150496.
146R	23087	Belt Guard Screw for 139398.....
146R	23086	Machine Screw for mounting machine to table.....
157J	23098	Feed Lifting Eccentric Forked Connection Screw.....
164J	23109	Thread Unwinder Thread Cone Holder Screw for 150657.....
168C	23090	Idler Pulley Shaft Set Screw for 150529 and 150530.....
171E	23106	Slack Thread Regulator Holder Crank Clamping Screw for 131405.....
172E	23098	Looper Holder Clamping Screw for 139289.
175E	23098	" Driving Arm Connection Cap (lower) Screw for 139066.....
175E	23098	Looper Driving Arm Connection Cap (upper) Screw for 139066.....
175E	23098	Needle Bar Connecting Stud Clamping Screw for 139108.....
175E	23093	Thread (looper) Take-up Stripper Plate Bracket Screw.....
176J	23105	Thread (looper) Thread Guide Bracket Screw.....
176J	23104	Thread (looper) Thread Guide (front of bed) Cover Hinge Plate Screw.....
176J	23105	Thread (needle) Take-up (auxiliary) Clamp Screw for 231-33 Machine.....
178J	23109	Thread Unwinder Thread Guide Screw for 150657.....
178J	23109	Thread Unwinder Spool Rest Rod Set Screw for 150663.....
178J	23109	Thread Unwinder Spool Rest Set Screw for 150647.....
190J	23097	Looper Gate Retaining Spring Screw.....
190J	23101	Presser Foot Screw.....
190J	23105	Thread (needle) Eyelet (side of arm) Screw.....
202R	23093	Bed Rotary Shaft Ball Bearing (left) Cover Screw.....

## NUMERICAL LIST OF PARTS

No.	Plate	Name
202J	23105	Thread (looper) Thread Guide Bracket Support Screw (lower).....
202J	23105	Thread (looper) Thread Guide (front of bed) Cover Lock Spring Screw.....
202E	23105	Thread (needle) Take-up Clamping Screw for 139328 and 139395.....
203J	23093	Thread (looper) Take-up Stripper Screw for 139397.....
203J	23105	Thread (looper) Thread Tube (belt guard) Seat Screw.....
206J	23098	Looper Thread Guide Screw.....
207J	23093	Thread (looper) Take-up Stripper Plate Screw for 139397.....
207J	23105	Thread (needle) Eyelet Screw.....
217J	23098	Feed Eccentric Clamping Washer Screw for 139052.....
217J	23106	Slack Thread Regulator Screw for 231-34 and 231-35 Machines.....
219J	23093	Thread (looper) Take-up Thread Guide (right) Screw for 139397.....
226J	23104	Thread (looper) Thread Guide (front of bed) Screw (right) for 139323.....
229J	23105	Thread (looper) Thread Guide (intermediate) Bracket Screw.....
229J	23104	Thread (looper) Thread Guide (front of bed) Cover Catch Screw for 139170...
229J	23105	Thread (needle) Thread Guide (intermediate) Bracket Screw.....
229J	23105	Thread (needle) Thread Guide (left)Screw
229J	23105	" " " " (right)Screw
237J	23093	" (looper) Take-up Thread Guide (left) Screw for 139397.....
237J	23105	Thread (looper) Thread Guide Bracket Support Screw (upper).....
240J	23093	Thread (looper) Take-up Thread Separator Thread Retainer Screw for 139397....
316C	23107	Tension (needle thread) Releasing Shaft Stop Screw.....
330R	23090	Idler Pulley Shaft Ball Bearing Cover Screw for 150496.....
330W	23098	Needle Bar Thread Guide Screw.....
356C	23090	Idler Pulley Shaft Bracket Shaft Set Screw for 150528.....
361C	23088	Treadle Pitman Rod Clamp Set Screw for 80223.....
362C	23088	Treadle Pitman Rod Spring Collar Set Screw for 2762.....
376J	23107	Tension (needle thread) Bracket Screw...
391J	23098	Face Plate (lower half) Screw.....
430C	23107	Tension (looper thread) Body Set Screw..

No.	Plate	Name
435C	23098	Looper Holder Shaft Bushing (back) Set Screw.....
435C	23098	Looper Holder Shaft Bushing (front) Set Screw.....
437C	23109	Thread Unwinder Rod Set Screw for 150364
443C	23098	Feed Bar Hinge Pin Set Screw.....
443C	23098	Looper Driving Arm Hinge Stud Set Screw.
445C	23088	Starting Treadle Shaft Collar Set Screw for 150216.....
453C	23098	Needle Guard Holder Set Screw.....
453C	23106	Slack Thread Regulator Connecting Link Connecting Stud Set Screw for 139300
456C	23098	Looper Eccentric Connection Slide Block Screw Stud Set Screw for 139060.....
456C	23094	Tension (needle thread) Nipper Cam Set Screw for 139308.....
462C	23093	Bed Rotary Shaft Ball Bearing (inter- mediate) Sleeve Set Screw for 139028
574W	23107	Pressure Regulating Thumb Screw.....
624C	23107	Tension (needle thread) Releasing Shaft Crank Set Screw for 54872.....
665J	23101	Presser Foot Plate Hinge Stud Position Screw for 139345, 139405 and 139407.
665J	23093	Thread (looper) Take-up Stripper Plate Thread Guard Screw for 139397.....
691F	23101	Throat Plate Screw.....
692C	23090	Idler Pulley Shaft Bracket (lower)Clamp- ing Screw for 150529.....
692C	23090	Idler Pulley Shaft Bracket (upper)Clamp- ing Screw for 150530.....
783E	23096	Bed Extension Screw.....
802D	23107	Presser Bar Lifting Lever Hinge Screw...
807D	23107	" " " Bracket Lifter Hinge Screw.....
935C	23098	Looper Clamping Screw for 139289.....
997J	23106	Thread (needle) Take-up (auxiliary)Clamp Screw for 231-34 and 231-35 Machines
1036C	23093	Needle Bar Connecting Link Hinge Stud Set Screw for 139009, 139199 and 139375.....
1047C	23098	Looper Driving Arm Connecting Link Hinge Pin Set Screw for 139062 and 139073.
1053E	23098	Face Plate (upper half) Position Plate Screw.....
1057E	23098	Looper Driving Arm Connection Crank Clamping Screw for 139069.....
1057C	23098	Needle Bar Connecting Stud Slide Block Guide Screw.....
1057E	23098	Presser Bar Lifting Bracket Clamping Screw for 139130.....

## NUMERICAL LIST OF PARTS

No.	Plate	Name
1133E	23098	Needle Bar Bushing (lower) Set Screw....
1133E	23098	" " Guide Set Screw.....
1133E	23098	Presser Bar Bushing (lower) Set Screw...
1133E	23098	" " " (upper) Set Screw...
1149C	23093	Arm Rotary Shaft Crank Set Screw for 139009, 139199 and 139375.....
1149C	23106	Tension (needle thread) Nipper Body Set Screw for 231-34 and 231-35 Machines
1167E	23098	Needle Guard Screw.....
1250C	23093	Thread (looper) Take-up Cover Position Screw Stud.....
1253C	23098	Looper Eccentric Connection Slide Block Screw Stud Collar Set Screw for 139076.....
1255E	23101	Feed Dog Screw.....
1259C	23098	Looper Eccentric and Feed Lifting Eccen- tric Set Screw for 139072.....
1259C	23095	Needle Bar Connecting Link Hinge Stud Set Screw (short) for 139375.....
1266C	23093	Thread (looper) Take-up Set Screw for 139144.....
1324C	23098	Looper Avoiding Eccentric Forked Connec- tion Crank Clamping Screw for 139257
1423J	23107	Tension (looper thread) Regulating Screw Cap Screw for 139305.....
1423J	23106	Slack Thread Regulator Holder Crank Cap Screw for 231-34 and 231-35 Machines
1443B	23108	Lap Seam Feller Screw.....
1448C	23090	Idler Pulley Shaft Set Screw for 150480.
1449J	23105	Thread (needle) Take-up Plate Spring Screw for 139329 and 139396.....
1454E	23098	Looper Holder Shaft Collar Clamping Screw for 139097.....
1480D	23093	Bed Rotary Shaft Screw (left).....
1498F	23098	Needle Set Screw for 128215.....
1520J	23098	Feed Bar Hinge Pin Set Screw Lock Nut...
1520J	23098	Looper Driving Arm Connection Crank Ball Screw Stud Nut.....
1539W	23107	Pressure Regulating Thumb Screw Lock Nut
1547J	23107	Tension (needle thread) Releasing Shaft Stop Screw Nut.....
1698R	23106	Tension (needle thread) Nipper Stud Nut for 139313.....
2102	23107	Tension (needle thread) Disc.....
2762	23088	Treadle Pitman Rod Spring Collar with 362C, for 126684.....
2807	23086	Machine Mounting Cushion Bolt Nut Washer
4879	23088	Foot Lifter Chain Connecting Link for 150491.....
5684	23106	Tension (needle thread) Nipper Stud Wearing Sleeve Pin for 139310.....

No.	Plate	Name
6439	23088	Foot Lifter Chain, 36 in. to 45 in. with 56864 and 56865, for 150491.....
7071	23098	Feed Eccentric Clamping Washer for 139052.....
7071	23093	Thread (looper) Take-up Thread Guide (right) Screw Washer for 139397.....
8582	23096	Arm Dowel Pin.....
9610	23101	Presser Foot Yielding Heel Connection Spring for 139345.....
11119	23094	Arm Oil Tube with 52045, for oiling Tension (needle thread) Nipper for 231-34 and 231-35 Machines.....
12162	23104	Thread (looper) Thread Guide (front of bed) Cover Hinge Pin.....
13218	23106	Tension (needle thread) Nipper Stud Spring for 139313.....
13538	23107	Tension (looper thread) Tension Plate Position Pin for 139302.....
13538	23106	Tension (needle thread) Nipper Tension Plate Position Pin for 139307.....
*15404	-----	Trade Mark for 139282 and 139349.....
15405	-----	" " Rivet for 139282 and 139349..
17022	23093	Thread (looper) Take-up Stripper Screw Washer for 139397.....
18055	23101	Presser Foot Yielding Heel Connection Hinge Pin for 139345, 139405 and 139407.....
18055	23101	Presser Foot Yielding Heel Hinge Pin for 139345, 139405 and 139407.....
18191	23104	Thread (looper) Thread Guide (front of bed) Cover Lock Spring Position Pin for 139319.....
19020	23109	Thread Unwinder Thread Cone Holder Screw Washer for 150657.....
23250	23088	Treadle Pitman Rod Spring Washer for 126684.....
23535	23086	Wrench (Accessories).....
25303	23098	Presser Bar Ball, size 1/4 in. for 139128.....
26276	23098	Looper Position Pin for 139289.....
27639	23089	Treadle Pitman Rod for 60626.....
29234	23098	Face Plate (upper half) Position Plate..
32572	23107	Tension (needle thread) Releasing Disc..
38456	23098	Presser Bar Bushing (upper).....
38467	23107	" " Spring (flat).....
38468	23107	" " " Stud.....
42639	23107	Tension (looper thread) Regulating Screw Nut Position Pin for 139140.....
46681	-----	Starting Treadle Shaft Bracket for 60502

## NUMERICAL LIST OF PARTS

No.	Plate	Name
50004C	23097	Bed Cover Screw.....
50040D	23093	" Rotary Shaft Screw (right).....
50150C	23098	Looper Avoiding Eccentric Set Screw for 139058.....
50318W	23098	Thread Cutter Screw for 231-33 Machine..
50326C	23107	Tension (needle thread) Screw Stud for 59539.....
50328C	23098	Feed Regulating Screw for 139052.....
50342J	23105	Thread (looper) Thread Guide (intermedi- ate) Screw.....
50342J	23105	Thread (looper) Thread Guide (left)Screw
50342J	23105	" " " " (right)Screw
50342J	23105	" (needle) Thread Guide (intermedi- ate) Screw.....
50362J	23104	Thread (looper) Thread Guide (front of bed) Screw (left) for 139323.....
50411E	23097	Bed Cover Gasket Clamping Plate Screw for 139251.....
50411J	23104	Thread (looper) Thread Guide (front of bed) Thread Retainer Screw for 139323.....
50422C	23093	Arm Rotary Shaft Ball Bearing (back)Case Set Screw.....
50422C	23093	Bed Rotary Shaft Ball Bearing (right) Case Set Screw.....
50608R	23093	Arm Hole Plug Screw (for access to Arm Rotary Shaft Crank Set Screw.....
50608R	23097	Bed Cover Hole Plug Screw.....
50608R	23093	" Oil Drain Plug Screw.....
50617B	23093	Oil Cup Body Oil Plug Screw for 139126..
51061C	23098	Feed Eccentric Body Set Screw for 139052
51069R	23086	Machine Mounting Cushion Bolt with 51581R.....
51082R	23109	Thread Unwinder Thread Cone Holder Sup- port Bolt with 51581R, for 150367, for 150657.....
51083R	23109	Thread Unwinder Thread Cone Holder Sup- port Bracket Bolt with 51581R, for 150657.....
51183R	23090	Idler Screw for 150486.....
51185F	23093	Arm Rotary Shaft Screw.....
51224W	23098	Face Plate (upper half) Thumb Screw....
51282J	23093	Thread (looper) Take-up Cover Lock Spring Screw for 139397.....
51283C	23093	Balance Wheel Set Screw for 139011 and 139418.....
51486C	23107	Tension (looper thread) Regulating Screw for 139305.....
51570C	23107	Tension (needle thread) Regulating Thumb Nut for 59539.....

No.	Plate	Name
51581R	23086	Machine Mounting Cushion Bolt Nut for 51069R.....
51581R	-----	Thread Unwinder Thread Cone Holder Support Bracket Bolt Nut for 51083R....
51581R	-----	Thread Unwinder Thread Cone Holder Support Bolt Nut for 51082R.....
52045	23094	Arm Oil Tube Packing (wick) for 11119...
52146	23098	Needle Bar Guide Oil Pad (inside)braided cotton.....
54242	23105	Thread (needle) Take-up (auxiliary)Clamp for 231-33 Machine.....
54872	23107	Tension (needle thread) Releasing Shaft Crank with 624C.....
54988	23107	Tension (needle thread) Releasing Pin...
56864	23088	Foot Lifter Chain Hook (large) for 6439.
56865	23088	" " " " (small) for 6439.
59019	23098	Needle Bar Thread Guide Screw Washer....
59456	23098	" " Connecting Stud Slide Block Guide Screw Washer.....
59456	23106	Tension (needle thread) Nipper Stud Washer for 139313.....
59537	23107	Tension (needle thread) Spring Bushing (large).....
59538	23107	Tension (needle thread) Spring Bushing (small).....
59539	-----	Tension (needle thread) Screw Stud 50326C with 51570C.....
60502	23088	Starting Treadle Shaft Bracket 46681 with two wood screws 1 in. No. 14, for 150491.....
60626	23089	Treadle Pitman Rod complete for 150498, Nos. 80223 and two 27639.....
67819	23088	Treadle Pitman Rod (lower) for 126684...
67820	23088	" " " (upper) for 126684...
68002	23107	Tension (needle thread) Bracket.....
68003	23107	" " " Releasing Shaft.
68008	23105	Thread (needle) Take-up Plate for 139329 and 139396.....
68164	23105	Thread (needle) Take-up Plate Spring for 139329 and 139396.....
68350	23093	Arm Rotary Shaft Ball Bearing (back) Oil Cup.....
68350	23093	Arm Rotary Shaft Ball Bearing (front)Oil Cup.....
68350	23093	Bed Rotary Shaft Ball Bearing (right)Oil Cup.....
80223	23088	Treadle Pitman Rod Clamp with 361C, for 60626 and 126684.....
120341	23086	Tweezers (curved) Accessories.....
120344	23086	Oiler (copper plated) with 120345 (Accessories).....



## NUMERICAL LIST OF PARTS

No.	Plate	Name
120345	23086	Oiler Spout, 4 1/2 in. long for 120344..
120440	23086	Screw Driver (large) Accessories.....
121108	23086	" " (small) Accessories.....
121449	23108	Lap Seam Feller Clamping Plate.....
121566	23108	Lap Seam Feller (adjustable) on Shank for light and medium weight material for 231-33 Machine.....
121628	23108	Lap Seam Feller (adjustable) on Shank for medium heavy weight material for 231-34 and 231-35 Machines.....
121629	23108	Lap Seam Feller on Shank with Yielding Lower Scroll for heavy weight ma- terial for 231-35 Machine.....
126684	23088	Treadle Pitman Rod complete for 150497, Nos. 2762, 67819, 67820, 80223 and two each 23250 and 150208.....
128215	23098	Needle Clamp with three 1498F, for 139291 and 139380.....
128390	23101	Presser Foot Plate Hinge Stud for 139405 and 139407.....
128551	23098	Looper Driving Arm Connection Crank Ball Screw Stud Nut Lock Washer.....
130328	23090	Idler Pulley Shaft Oil Cup for 150486...
131198	23107	Presser Bar Spring (auxiliary).....
131319	23093	Arm Rotary Shaft Ball Bearing (back) Oil Cup Oil Pad (braided cotton).....
131319	23093	Arm Rotary Shaft Ball Bearing (front) Oil Cup Oil Pad (braided cotton).....
131319	23093	Bed Rotary Shaft Ball Bearing (right) Oil Cup Oil Pad (braided cotton).....
131405	23106	Slack Thread Regulator Holder Crank with 171E, for 231-34 and 231-35 Machines
131406	23106	Slack Thread Regulator Holder Crank Con- necting Link for 231-34 and 231-35 Machines.....
131496	23106	Thread (needle) Take-up (auxiliary) Clamp for 231-34 and 231-35 Machines.....
131534	23101	Presser Foot Yielding Heel Connection Spring for 139405 and 139407.....
131696	23107	Tension (needle thread) Thread Guide (double).....
131741	23107	Tension (needle thread) Spring.....
132231	23093	Bed Rotary Shaft Ball Bearing (left)....
135060	-----	Front Plank, 1 5/8 in. thick, 19 in. wide, 46 1/2 in. long, for Series 1500, 1900 and 2900 Motors, for Uni- versal Electric Transmitter Tables..
135061	-----	Front Plank, 1 5/8 in. thick, 19 in. wide, 48 in. long, for Series 1500, 1900 and 2900 Motors, for Electric Trans- mitter Tables (cast iron legs).....

NUMERICAL LIST OF PARTS

No.	Plate	Name
135062	-----	Front Plank, 1 5/8 in.thick, 19 in.wide, 46 1/2 in. long, for Series 1700 Motors, for Universal Electric Transmitter Tables.....
135063	-----	Front Plank, 1 5/8 in.thick, 19 in.wide, 48 in. long, for Series 1700 Motors, for Electric Transmitter Tables(cast iron legs).....
135064	-----	Front Plank, 1 5/8 in.thick, 19 in.wide, 46 1/2 in. long, for Series S 39, S 49, S 59 and S 69 Electric Transmitters, for Universal Electric Transmitter Tables.....
135065	-----	Front Plank, 1 5/8 in.thick, 19 in.wide, 48 in. long, for Series S 39, S 49, S 59 and S 69 Electric Transmitters, for Electric Transmitter Tables(cast iron legs).....
135068	-----	Front Plank, 1 5/8 in.thick, 19 in.wide, 46 1/2 in. long, for Universal Low Shaft Power Table.....
135069	-----	Front Plank, 1 5/8 in.thick, 19 in.wide, 48 in. long, for Old Style Low Shaft Power Table.....
135098	-----	Front Plank, 1 5/8 in.thick, 19 in.wide, 46 1/2 in.long, for Universal Safety Power Table.....
139002	23093	Arm Rotary Shaft for 139225.....
139003	23093	" " " Ball Bearing (back) Case
139004	23093	" " " " " " " "
		Nut.....
139004	23093	Bed Rotary Shaft Ball Bearing (right) Case Nut.....
139005	23093	Arm Rotary Shaft Ball Bearing (back) Spacing Collar.....
139006	23093	Arm Rotary Shaft Ball Bearing (front)...
139007	23093	" " " " " " " Oil Retainer (back).....
139008	23093	Arm Rotary Shaft Ball Bearing (front)Oil Retainer (front).....
139009	23093	Arm Rotary Shaft Crank with two each 1036C and 1149C, for 139226.....
139010	23093	Arm Rotary Shaft Sprocket Wheel with two each 201254C and 202253.....
139011	23093	Balance Wheel, 2 in. pulley with two 51283C, for 231-33 and 231-34 Machines.....
139017	23097	Bed Cover Hole Plug Screw Washer.....
139017	23093	" Oil Drain Plug Screw Washer.....
139022	23097	" " Gauge.....

## NUMERICAL LIST OF PARTS

No.	Plate	Name
139025	23093	Bed Rotary Shaft.....
139026	23093	" " " Ball Bearing (intermediate).....
139028	23093	Bed Rotary Shaft Ball Bearing (intermediate) Sleeve with two 462C.....
139030	23093	Bed Rotary Shaft Ball Bearing (left) Cover.....
139031	23093	Bed Rotary Shaft Ball Bearing (left) Cover Gasket.....
139032	23093	Bed Rotary Shaft Ball Bearing (right) Case.....
139033	23093	Bed Rotary Shaft Ball Bearing (right) Spacing Collar.....
139035	23096	Bed Rotary Shaft Belt Guard Cover for 139036.....
139036	23096	Bed Rotary Shaft Belt Guard Cover 139035 with 139037.....
139037	23096	Bed Rotary Shaft Belt Guard Cover Gasket (cork) for 139036.....
139038	23093	Bed Rotary Shaft Sprocket Wheel with 202253 and two 201254C.....
139039	23098	Face Plate (lower half).....
139040	23098	" " " " Gasket (cork)...
139043	23098	Feed Bar.....
139046	23098	" " Hinge Pin Slide Block.....
139052	23098	Feed Eccentric (adjustable) complete, Nos. 217J, 707L, 50328C and two 51061C
139053	23098	Feed Eccentric Slide Block.....
139054	23098	" Lifting Eccentric Forked Connection
139055	23098	" " " " " Slide Block.....
139055	23098	Looper Avoiding Eccentric Forked Connection Slide Block.....
139058	23098	Looper Avoiding Eccentric with two 50150C.....
139059	23098	Looper Avoiding Eccentric Forked Connection.....
139060	23098	Looper Avoiding Eccentric Forked Connection Bracket with 456C.....
139062	23098	Looper Driving Arm with 1047C, for 139063
139063	-----	" " " 139062 with 139066 and 139070.....
139064	23098	Looper Driving Arm Connecting Link.....
139065	23098	" " " " " Hinge Pin.....
139066	23098	Looper Driving Arm Connection with four 175E, for 139063.....
139069	23098	Looper Driving Arm Connection Crank with 1057E.....
139070	23098	Looper Driving Arm Connection Crank Ball Screw Stud for 139063.....

## NUMERICAL LIST OF PARTS

39

No.	Plate	Name
139072	23098	Looper Eccentric and Feed Lifting Eccentric with two 1259C.....
139073	23098	Looper Eccentric Connection with 1047C..
139074	23098	" " " " Slide Block.
139075	23098	" " " " "
		Screw Stud.....
139076	23098	Looper Eccentric Connection Slide Block Screw Stud Collar with two 1253C....
139094	23098	Looper Holder Shaft.....
139095	23098	" " " Bushing (back).....
139096	23098	" " " " (front).....
139097	23098	" " " Collar with 1454E...
139099	23098	Needle Bar (hollow) for 139291.....
139101	23098	" " Bushing (lower) for 231-33 and 231-34 Machines.....
139102	23098	Needle Bar Connecting Link for 139103...
139103	-----	" " " " 139102 with 139105 and 139108, for 139226,139228 and 139376.....
139105	23093	Needle Bar Connecting Link Hinge Stud for 139103 .....
139108	23098	Needle Bar Connecting Stud with 175E,for 139103.....
139110	23098	Needle Bar Connecting Stud Oil Pad(wick)
139111	23098	" " " " Slide Block..
139112	23098	" " " " " "
		Guide.....
139113	23098	Needle Bar Guide for 231-33 and 231-34 Machine.....
139114	23098	Needle Bar Guide Oil Pad (outside) felt.
139115	23098	" " Thread Guide.....
139120	23098	" Guard Holder.....
139121	23093	Oil Cup Body for 139126.....
139122	23093	" " " Cap (transparent) for 139126.....
139123	23093	Oil Cup Body Cap Gasket (cork) for 139126.....
139124	23093	Oil Cup Body Cap Retainer for 139126....
139125	23093	" " " Oil Plug Screw Washer for 139126.....
139126	23093	Oil Cup complete for oiling Needle Bar Connecting Link, Nos. 50617B, 139121 to 139125 and four 131C.....
139127	23093	Oil Cup Gasket (soft leather).....
139128	23098	Presser Bar with 25303.....
139129	23098	" " Bushing (lower) for 231-33 Machine.....
139130	23098	Presser Bar Lifting Bracket with 1057E..
139131	23107	" " " " Lifter.....
139132	23107	" " " Lever.....

## NUMERICAL LIST OF PARTS

No.	Plate	Name
139133	23107	Presser Bar Lifting Lever Spring.....
139140	23107	Tension (looper thread) Regulating Screw Nut with 42639, for 139305.....
139143	23107	Tension (needle thread) Releasing Shaft Crank Connecting Link.....
139144	23093	Thread (looper) Take-up with two 1266C..
139145	23093	" " " " Cover for 139397
139146	23093	" " " " Hinge Pin for 139397.....
139147	23093	Thread (looper) Take-up Cover Lock Spring for 139397.....
139148	23093	Thread (looper) Take-up Stripper for 139397.....
139149	23093	Thread (looper) Take-up Stripper Plate for 139397.....
139152	23093	Thread (looper) Take-up Stripper Plate Thread Guard for 139397.....
139153	23093	Thread (looper) Take-up Thread Guard (fibre) for 139397.....
139154	23093	Thread (looper) Take-up Thread Guide (left) for 139397.....
139157	23093	Thread (looper) Take-up Thread Separator Thread Retainer for 139397.....
139158	23105	Thread (looper) Thread Guide (intermedi- ate).....
139158	23105	Thread (looper) Thread Guide (left)....
139158	23105	" " " " (right)....
139158	23105	" (needle) Thread Guide (intermedi- ate).....
139158	23105	Thread (needle) Thread Guide (left)....
139158	23105	" " " " (right)....
139162	23105	" (looper) Thread Tube (belt guard) Bushing for 139327.....
139169	23104	Thread (looper) Thread Guide (front of bed) Cover for 139170.....
139170	23104	Thread (looper) Thread Guide (front of bed) Cover 139169 with 139171 and two 229J.....
139171	23104	Thread (looper) Thread Guide (front of bed) Cover Catch for 139170.....
139172	23104	Thread (looper) Thread Guide (front of bed) Cover Hinge Plate.....
139173	23105	Thread (looper) Thread Guide (front of bed) Cover Lock Spring.....
139174	23105	Thread (looper) Thread Guide (front of bed) Cover Lock Spring Reinforcing Plate.....
139176	23098	Thread (looper) Thread Tube (side of bed).....
139177	23105	Thread (needle) Eyelet.....

No.	Plate	Name
139181	23098	Thread Cutter (knife) for 231-33 Machine
139182	23098	" " Thread Guide (inside) for 231-33 Machine.....
139183	23098	Thread Cutter Thread Guide (outside) for 231-33 Machine.....
139190	23086	Machine Cushion (round rubber).....
139191	23086	" Mounting Cushion (moulded rub- ber).....
139198	23105	Thread (needle) Take-up (auxiliary) for 231-33 Machine.....
139199	23094	Arm Rotary Shaft Crank with two each 1036C and 1149C, for 139228.....
139217	23087	Belt Guard with two wood screws 3/4 in. No. 9 R.H. for use with Singer Uni- versal Safety Power Table.....
139219	23101	Presser Foot Plate Hinge Stud for 139345
139225	-----	Arm Rotary Shaft 139002 with 139226, for 231-33 Machine.....
139226	-----	Arm Rotary Shaft Crank 139009 with 139103, for 139225.....
139228	-----	Arm Rotary Shaft Crank 139199 with 139103, for 139284.....
139229	23098	Needle Bar Connecting Link Spacing Wash- er, thickness .004", .008" or .012".
139239	23093	Needle Bar Connecting Link Hinge Stud Oil Pad (braided cotton).....
*139249	-----	Bed.....
139251	23097	" Cover with 139253 and two 50411E....
139252	23097	" " Gasket (cork).....
139253	23097	" " " Clamping Plate for 139251
139256	23098	Feed Bar Hinge Pin (eccentric).....
139257	23098	Looper Avoiding Eccentric Forked Con- nection Crank (forked) with 1324C.....
139264	23097	Looper Gate (left).....
139271	23097	" " (right).....
139272	23097	" " Retaining Spring.....
139276	23107	Tension (looper thread) Tension Plate for 139305.....
139276	23106	Tension (needle thread) Nipper Tension Plate for 139313.....
139279	23093	Thread (looper) Take-up Stripper Plate Bracket for 139397.....
*139282	-----	Arm with 15404 and two 15405, for 231-34 and 231-35 Machines.....
139283	23094	Arm Rotary Shaft for 139284 and 139374..
139284	-----	" " " 139283 with 139228 and 139308, for 231-34 Machine.....
139286	23096	Bed Rotary Shaft Belt Guard with two 200363C.....

## NUMERICAL LIST OF PARTS

No.	Plate	Name
139287	23102	Feed Dog, 14 teeth (10 teeth to the inch) for 1/8 - 1/8 in. to 3/16 - 3/16 in. gauges, for 139332, for work shirts and light overall work for 231-34 and 231-35 Machines.....
139288	23101	Looper (intermediate).....
139289	23098	" Holder with 172E, 935C and 26276.
139291	-----	Needle Bar complete for 3/32 - 3/32 in. to 3/16 - 3/16 in. gauges, for 231-33 and 231-34 Machines, Nos. 128215 and 139099.....
139292	23102	Needle Guard for 5/32 - 5/32 in. to 3/16 - 3/16 in. gauges.....
139299	23106	Slack Thread Regulator Holder for 231-34 and 231-35 Machines.....
139300	23106	Slack Thread Regulator Connecting Link Connecting Stud with 453C, for 231-34 and 231-35 Machines.....
139302	23107	Tension (looper thread) Body and Thread Guide with 13538, for 139305.....
139303	23107	Tension (looper thread) Spring for 139305.....
139305	23107	Tension (looper thread) complete, Nos. 1423J, 51486C, 139140, 139302, 139303 and four 139276.....
139307	23106	Tension (needle thread) Nipper Body and Thread Guide with 13538, for 139313.
139308	23094	Tension (needle thread) Nipper Cam with two 456C, for 139284 and 139374.....
139309	23106	Tension (needle thread) Nipper Stud for 139310.....
139310	-----	Tension (needle thread) Nipper Stud 139309 with 5684 and 139311, for 139313.....
139311	23106	Tension (needle thread) Nipper Stud Wearing Sleeve for 139310.....
139313	23106	Tension (needle thread) Nipper complete for 231-34 and 231-35 Machines, Nos. 1698R, 13218, 59456, 139307, 139310 and four 139276.....
139315	23093	Thread (looper) Take-up Thread Guide (right) for one thread for 139397...
139316	23093	Thread (looper) Take-up Thread Guide (right) for two threads for 139397..
139317	23093	Thread (looper) Take-up Thread Separator for 139397.....
139318	23104	Thread (looper) Thread Guide (front of bed) with 139321 and two 139320, for 139323.....
139319	23104	Thread (looper) Thread Guide (front of bed) Plate with 18191, for 139323...

NUMERICAL LIST OF PARTS

43

No.	Plate	Name
139320	23104	Thread (looper) Thread Guide (front of bed) Thread Retaining Pin (long) for 139318.....
139321	23104	Thread (looper) Thread Guide (front of bed) Thread Retaining Pin (short)for 139318.....
139322	23104	Thread (looper) Thread Guide (front of bed) Thread Retainer for 139323.....
139323	23104	Thread (looper) Thread Guide (front of bed) complete, Nos. 226J, 50362J, 139318,139319,139322 and two 50411J.
139324	23105	Thread (looper) Thread Guide Bracket....
139325	23105	" " " " " Support
139327	23105	" " " Tube (belt guard) with six 139162.....
139328	23105	Thread (needle) Take-up with 202E, for 139329.....
139329	23105	Thread (needle) Take-up complete for 231-33 Machine, Nos. 1449J, 68008, 68164 and 139328.....
139330	23105	Thread (looper) Thread Guide (intermediate) Bracket.....
139330	23105	Thread (needle) Thread Guide (intermediate) Bracket.....
139331	23105	Thread (needle) Thread Guide Bracket....
139332	23102	Throat Plate for 1/8 - 1/8 in. to 3/16 - 3/16 in. gauges, for 139287 and 139400, for 231-34 and 231-35 Machines.....
139333	23098	Face Plate (upper half).....
139334	23102	Feed Dog,22 teeth (14 teeth to the inch) for 1/8 - 1/8 in. gauge, for 139336, for work shirts for 231-34 and 231-35 Machines.....
139335	23101	Needle Guard for 3/32 - 3/32 in. to 9/64 - 9/64 in. gauges.....
139336	23102	Throat Plate for 1/8 - 1/8 in. gauge,for 139334, for 231-34 and 231-35 Machines.....
139337	23096	Bed Extension.....
139338	23101	Looper (back).....
139339	23101	" (front).....
139340	23101	Feed Dog,20 teeth (14 teeth to the inch) for 3/32 - 3/32 in. gauge, for 139346, for 231-33 Machine.....
139341	23101	Presser Foot Plate for 139345.....
139342	23101	" " Shank for 139345.....
139343	23101	" " Yielding Heel for 139345...
139344	23101	" " " " Connection for 139345.....



## NUMERICAL LIST OF PARTS

No.	Plate	Name
139345	23101	Presser Foot (triple hinged) complete for 3/32 - 3/32 in. and 7/64 - 7/64 in. gauges, for 231-33 Machine, Nos. 9610, 139341 to 139344 and two each 665J, 18055 and 139219.....
139346	23101	Throat Plate for 3/32 - 3/32 in. gauge for 139340, for 231-33 Machine.....
139347	23101	Feed Dog, 20 teeth (14 teeth to the inch) for 7/64 - 7/64 in. and 1/8 - 1/8 in. gauges, for 139348, for 231-33 Machine.....
139348	23101	Throat Plate for 7/64 - 7/64 in. and 1/8 - 1/8 in. gauges, for 139347, for 231-33 Machine.....
*139349	-----	Arm with 15404 and two 15405, for 231-33 Machine.....
139352	23098	Looper Driving Arm Hinge Stud.....
139366	23108	Lap Seam Feller Slide.....
139367	23105	Thread (needle) Eyelet (side of arm)....
139374	-----	Arm Rotary Shaft 139283 with 139308 and 139376, for 231-35 Machine.....
139375	23095	Arm Rotary Shaft Crank with 1036C, 1259C and two 1149C, for 139376.....
139376	-----	Arm Rotary Shaft Crank 139375 with 139103, for 139374.....
139377	23100	Needle Bar (hollow) for 139380.....
139379	23100	" " Bushing (lower) for 231-35 Machine.....
139380	-----	Needle Bar complete for 1/8 - 1/8 in. to 3/16 - 3/16 in. gauges, for 231-35 Machine, Nos. 128215 and 139377.....
139381	23098	Looper Thread Guide.....
139393	23106	Thread (needle) Take-up (auxiliary) for 231-34 and 231-35 Machines.....
139394	23106	Slack Thread Regulator for 231-34 and 231-35 Machines.....
139395	23106	Thread (needle) Take-up with 202E, for 139396.....
139396	23106	Thread (needle) Take-up complete for 231-34 and 231-35 Machines, Nos. 1449J, 68008, 68164 and 139395.....
139397	23093	Thread (looper) Take-up Stripper Plate Bracket 139279 with 219J, 237J, 240J, 7071, 51282J, 139145 to 139149, 139152 to 139154, 139157, 139315 to 139317 and two each 203J, 207J, 665J and 17022.....
139398	23087	Belt Guard with two 146R, for use with Individual Motors and Low Shaft Power Table.....

No.	Plate	Name
139400	23103	Feed Dog, 12 teeth (8 teeth to the inch) for 1/8 - 1/8 in. to 3/16 - 3/16 in. gauges, for 139332, for heavy over-all work for 231-35 Machine.....
139401	23103	Presser Foot Plate for 139405.....
139402	23101	" " Shank for 139405 and 139407
139403	23101	" " Yielding Heel for 139405 and 139407.....
139404	23101	Presser Foot Yielding Heel Connection for 139405 and 139407.....
139405	23103	Presser Foot (triple hinged) complete for 1/8 - 1/8 in. to 3/16 - 3/16 in. gauges, for 231-35 Machines, Nos. 131534, 139401 to 139404 and two each 665J, 18055 and 128390.....
139406	23101	Presser Foot Plate for 139407.....
139407	23101	Presser Foot (triple hinged) complete for 1/8 - 1/8 in. to 3/16 - 3/16 in. gauges, Nos. 131534, 139402 to 139404, 139406 and two each 665J, 18055 and 128390.....
139410	23099	Presser Bar Bushing (lower) for 231-34 and 231-35 Machine.....
139411	23098	Looper Eccentric Connection Slide Block Screw Stud Washer (leather).....
139412	23100	Needle Bar Guide for 231-35 Machine.....
139416	23099	Thread Cutter (knife) for 231-34 and 231-35 Machines.....
139417	23099	Thread Cutter (knife) Guard for 231-34 and 231-35 Machines.....
139418	23095	Balance Wheel, 3 in. pulley with two 51283C, for 231-35 Machine.....
140215C	23088	Starting Treadle Set Screw for 150487...
140215C	23088	" " Shaft Arm Set Screw for 150489.....
150203	23109	Thread Unwinder Spool Rest Cushion (felt) for 150663.....
150208	23088	Treadle Pitman Rod Spring for 126684....
150212	23088	Foot Lifter Treadle for 150491.....
150216	23088	Starting Treadle Shaft Collar with two 445C, for 150491.....
150364	23109	Thread Unwinder Base with two 437C, for 150657.....
150366	23109	Thread Unwinder Thread Cone Holder for 150657.....
150367	23109	Thread Unwinder Thread Cone Holder Support for four cones for 150657.....
150368	23109	Thread Unwinder Thread Cone Steady Wire for 150657.....
150369	23109	Thread Unwinder Thread Guide for four threads for 150657.....

## NUMERICAL LIST OF PARTS

No.	Plate	Name
150480	23090	Idler Bracket with 1448C, for 150486....
150481	23090	" Pulley for 150496.....
150482	23090	" " Shaft for 150496.....
150483	23093	Arm Rotary Shaft Ball Bearing (back)....
150483	23093	Bed Rotary Shaft Ball Bearing (right)...
150483	23090	Idler Pulley Shaft Ball Bearing for 150496.....
150484	23090	Idler Pulley Shaft Ball Bearing Cover for 150496.....
150485	23090	Idler Pulley Shaft Ball Bearing Cover Gasket (cork) for 150496.....
150486	23090	Idler complete (adjacent to Balance Wheel) Nos. 130328, 150480, 150496 and two 51183R.....
150487	23088	Starting Treadle with two 140215C, for 150491.....
150488	23088	Starting Treadle Shaft for 150491.....
150489	23088	" " " Arm with two 140215C, for 150491.....
150490	23088	Starting Treadle Spacing Collar for 150491.....
150491	-----	Starting and Foot Lifter Treadle com- plete, for 150497 and 150498, Nos. 4879, 6439, 150212, 150216, 150487 to 150490 and two 60502.....
150496	23090	Idler Pulley and Shaft complete for 150486 and 150532, Nos. 144D, 150481 to 150485 and four 330R.....
150497	23088	Starting and Foot Lifter Treadle with Pitman complete for Universal Safety Power Table, Nos. 126684 and 150491.
150498	23089	Starting and Foot Lifter Treadle with Pitman complete for Low Shaft Power Table for Under Driver No. 150499, Nos. 60626 and 150491.....
150528	23090	Idler Base with 356C, for 150532.....
150529	23090	" Pulley Shaft Bracket (lower) with 168C and 692C, for 150532.....
150530	23090	Idler Pulley Shaft Bracket (upper) with 168C and 692C, for 150532.....
150531	23090	Idler Pulley Shaft Bracket Shaft for 150532.....
150532	23090	Idler complete for Under the Table, for Singer Universal Safety Power Table, Nos. 150528 to 150531, two 150496 and three wood screws 1 1/4 in. No. 12 F.H.....
150533	23090	Idler Guard with two wood screws 3/4 in. No. 9 R.H. for 150532.....

NUMERICAL LIST OF PARTS

No.	Plate	Name
150647	23109	Thread Unwinder Spool Rest with 178J, for 150663.....
150649	23109	Thread Unwinder Spool Rest Rod for four spool rests for 150663.....
150653	23109	Thread Unwinder Rod for 150657.....
150654	23109	" " Thread Cone Holder Support for two cones for 150657.....
150655	23109	Thread Unwinder Thread Cone Holder Support Bracket for 150654, for 150657.
150656	23109	Thread Unwinder Thread Guide for two threads for 150657.....
150657	23109	Thread Unwinder complete for inverted cones (for six cones) Nos. 51082R, 51083R, 150364, 150367, 150369, 150653 to 150656, two 178J, three wood screws 1 1/2 in. No. 16 F.H. and six each 164J, 19020, 150366 and 150368.
150658	23109	Thread Unwinder Spool Rest Rod for two spool rests for 150663.....
150663	23109	Thread Unwinder Spool Rests complete for six spools, Nos. 150649, 150658, two 178J and six each 150203 and 150647.
152004	23087	Belt Guard with two wood screws 1 in. No. 10 R.H.M.F.O. and A. for Series S 39, S 49, S 59 and S 69 Electric Transmitters.....
200092F	23096	Bed Rotary Shaft Belt Guard Cover Screw.
200363C	23096	" " " " " Set Screw for 139286.....
201254C	23093	Arm Rotary Shaft Sprocket Wheel Set Screw for 139010.....
201254C	23093	Bed Rotary Shaft Sprocket Wheel Set Screw for 139038.....
202253	23093	Arm Rotary Shaft Sprocket Wheel Spring Flange for 139010.....
202253	23093	Bed Rotary Shaft Sprocket Wheel Spring Flange for 139038.....
249311	23093	Bed Rotary Shaft Belt.....

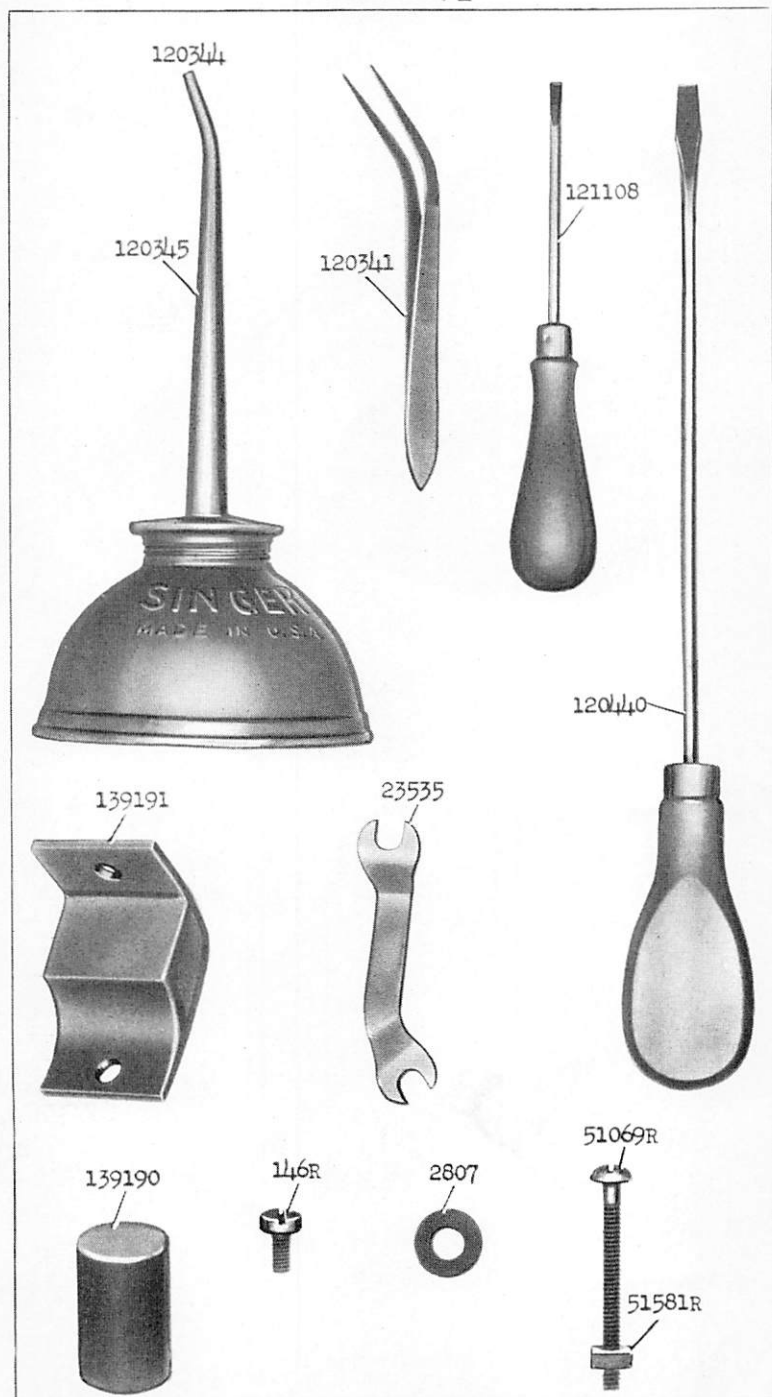
**Genuine Singer Needles should be used  
in Singer Machines.  
These Needles and their Containers  
are marked with the  
Company's Trade Mark "SIMANCO." 1**

**Needles in Containers marked  
"For Singer Machines"  
are not Singer made needles. 2**

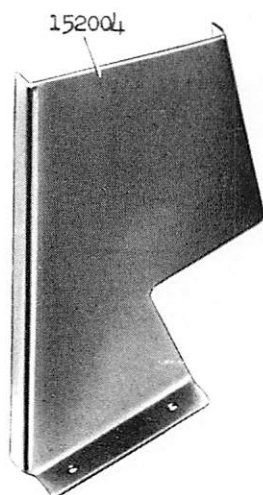
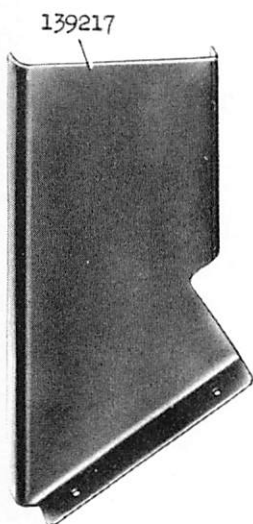
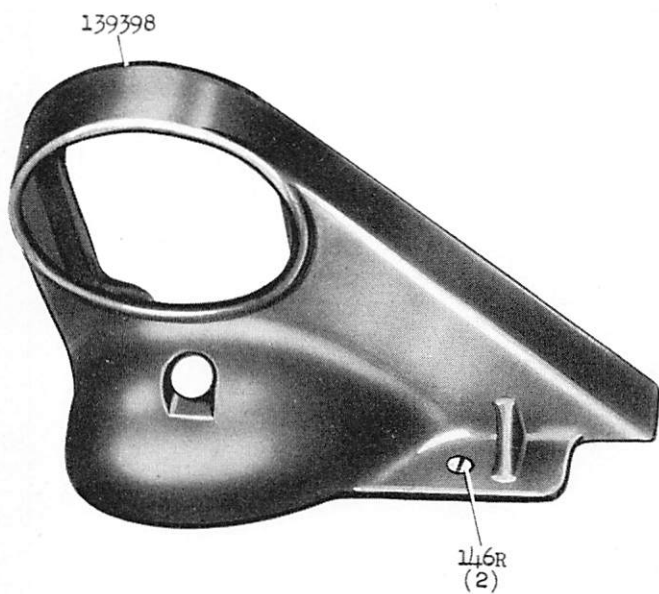
ILLUSTRATIONS  
OF  
PARTS



23086 - 1/2

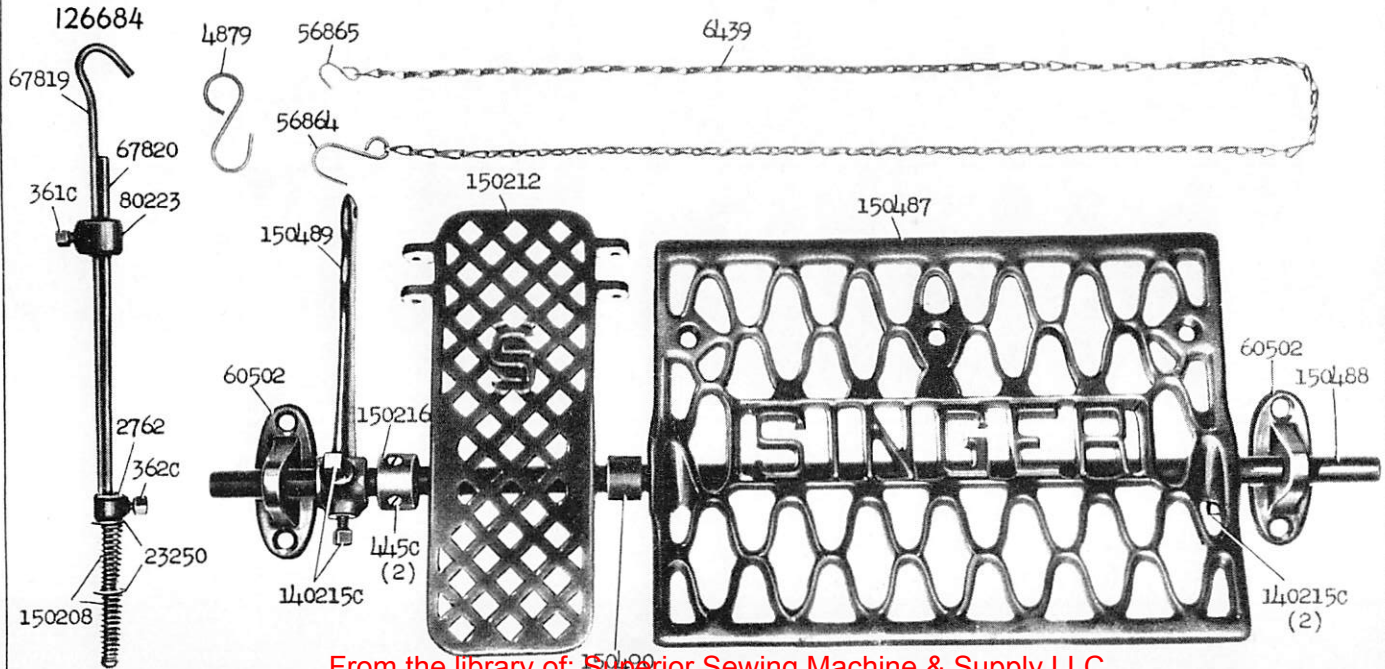


23087 - 1/4





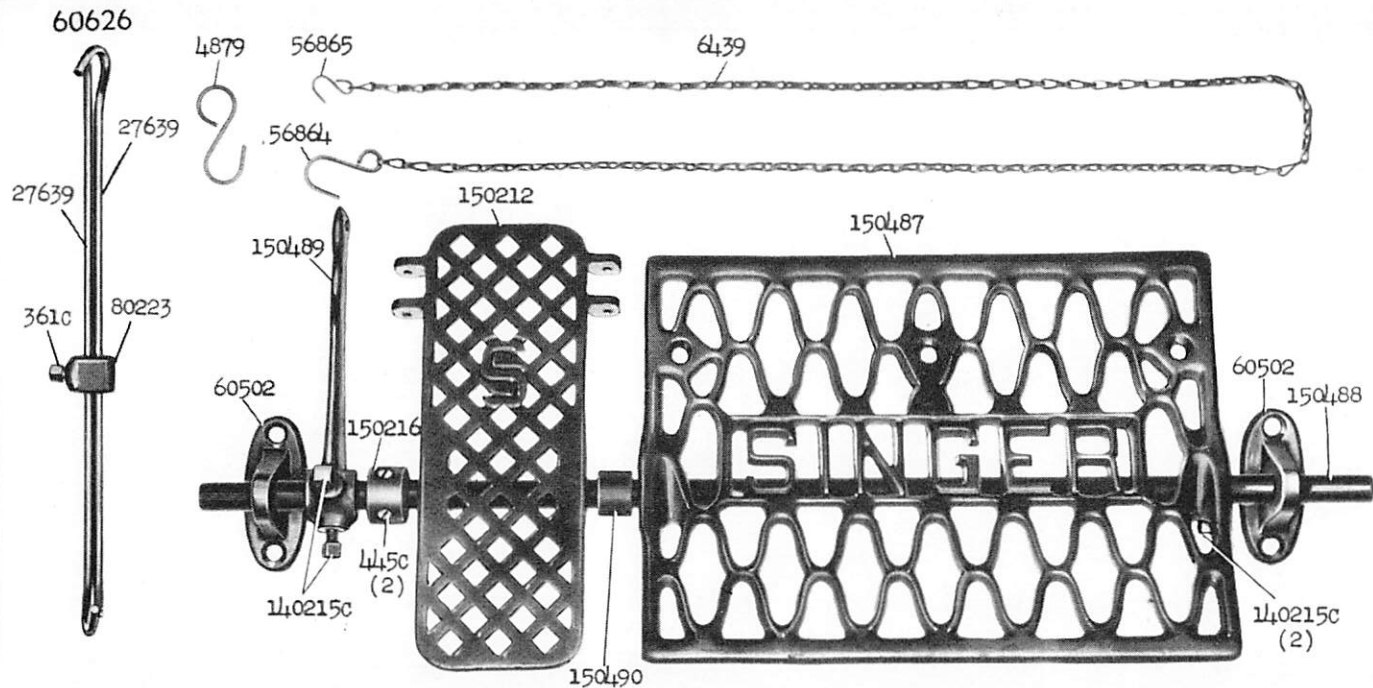
150497



23088 - 1/4

From the library of: Superior Sewing Machine & Supply LLC

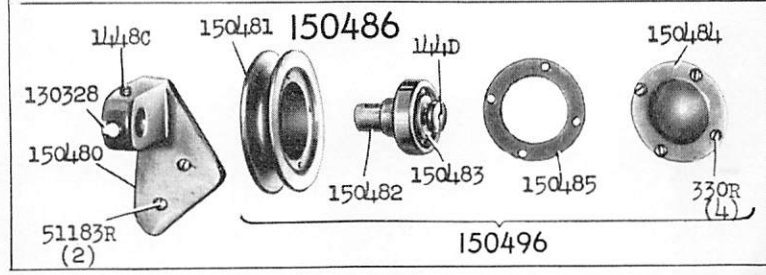
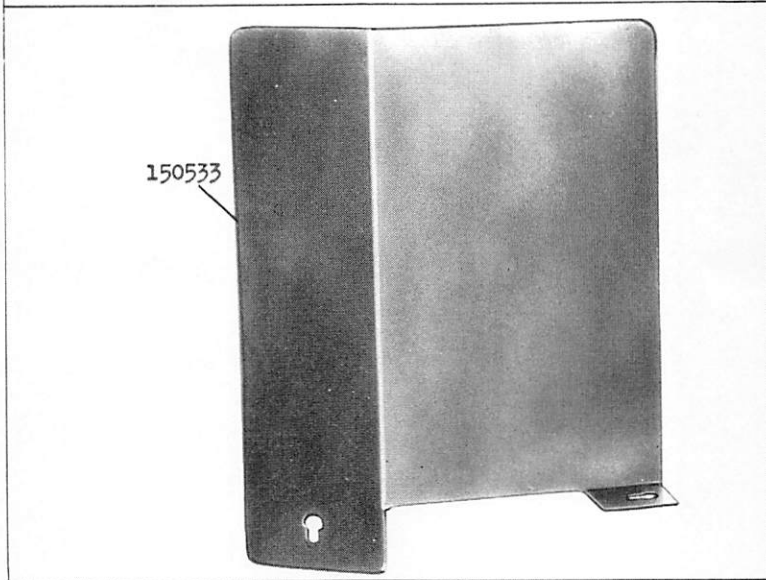
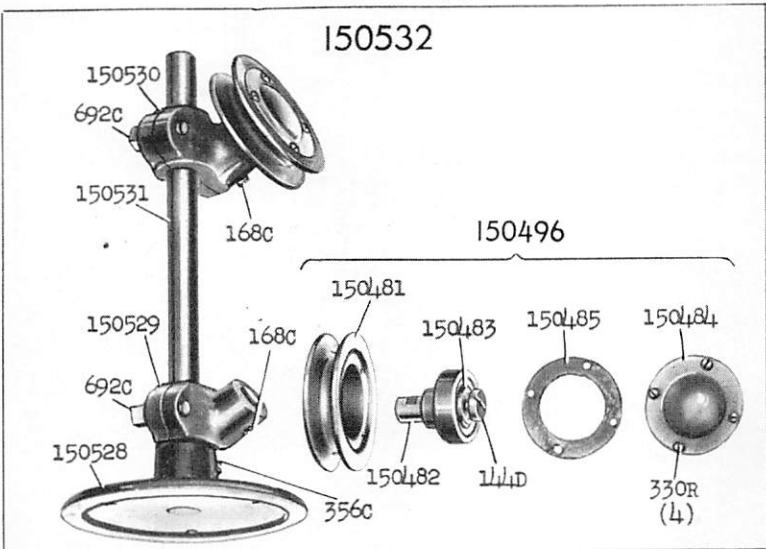
150498



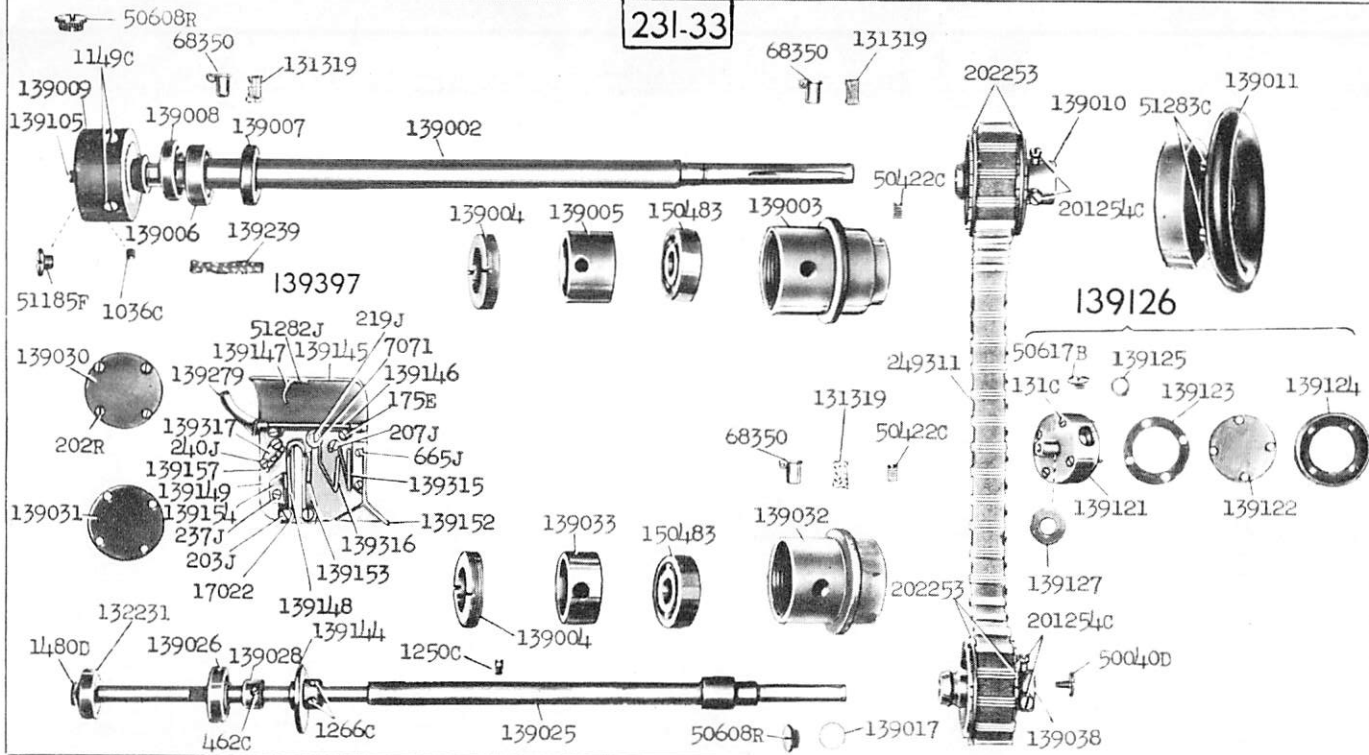
23089 - 1/4

23090 - 1/4

150532



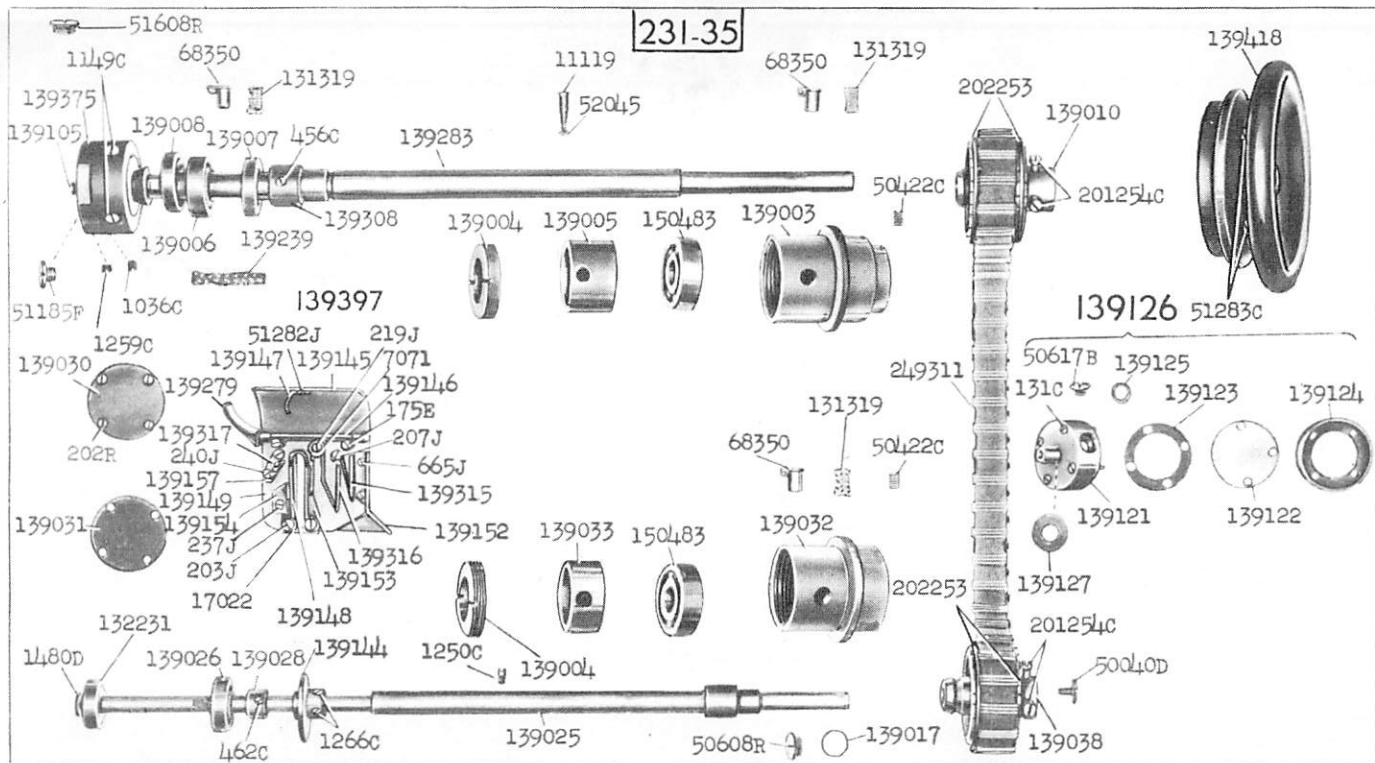
231-33



23093 - 1/4



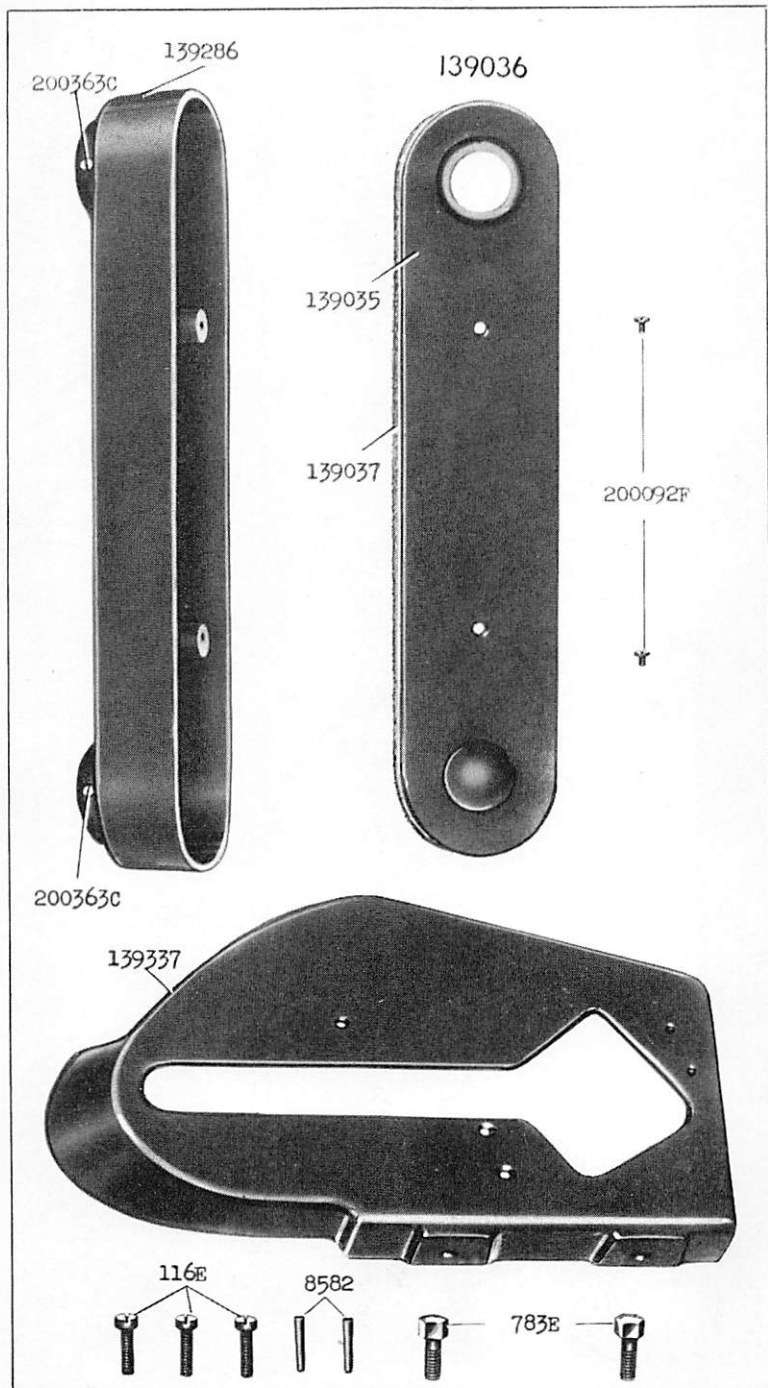




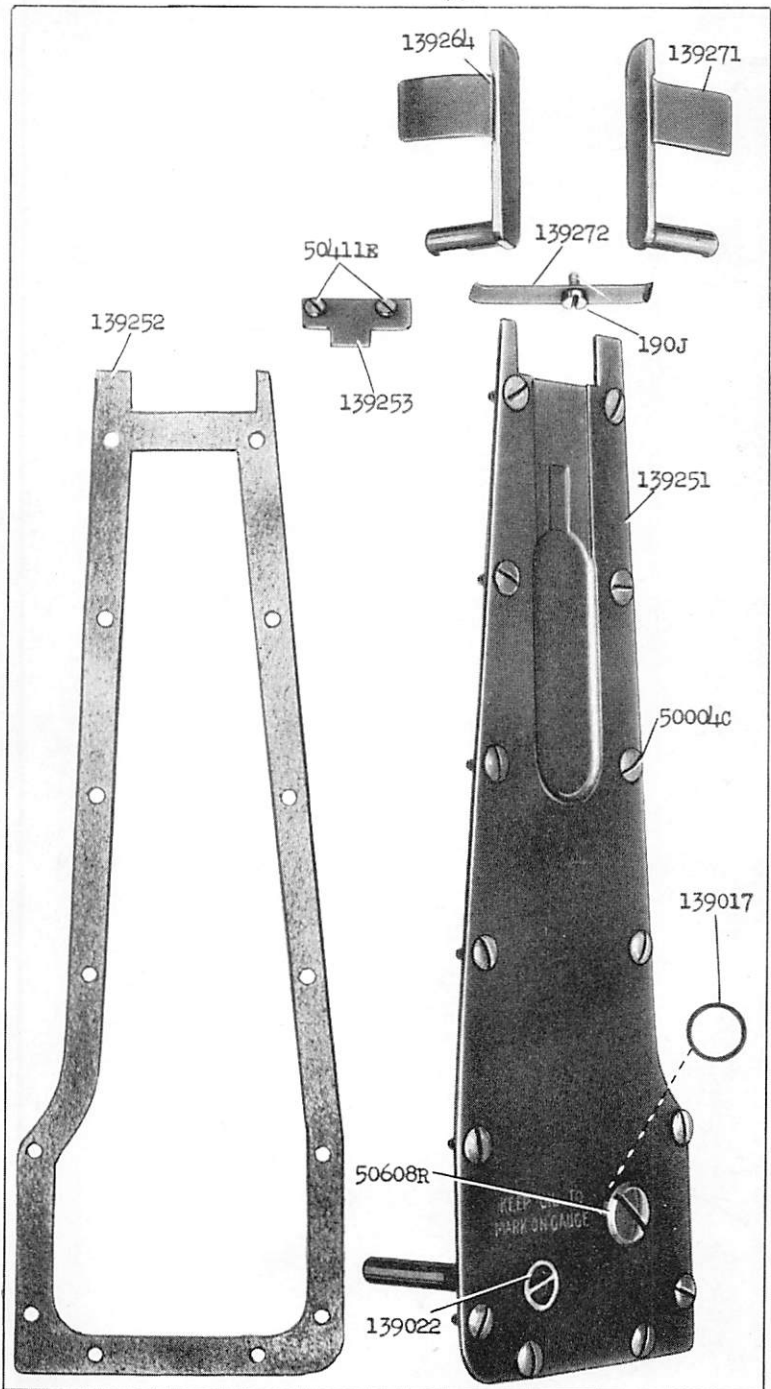
23095 - 1/4

From the library of: Superior Sewing Machine & Supply LLC

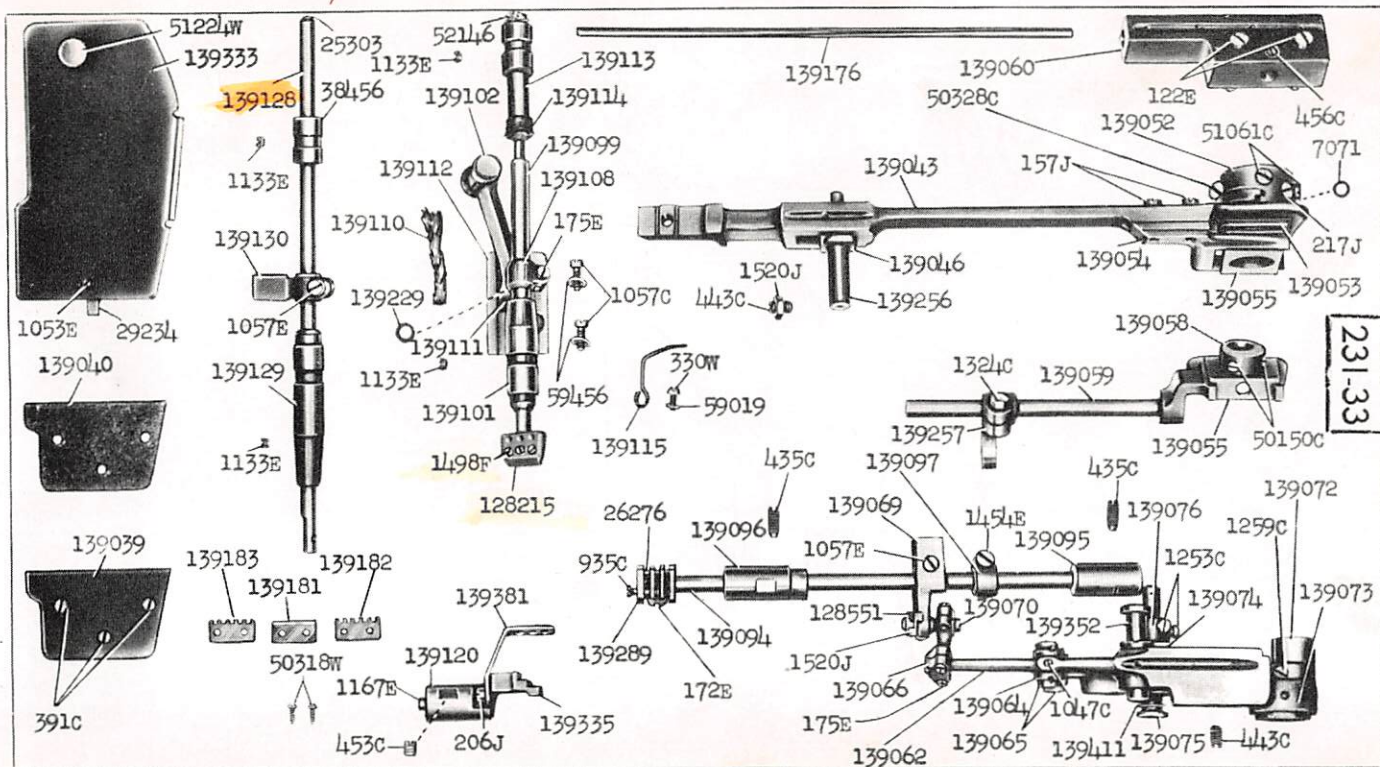
23096 - 1/4



23097 - 1/2



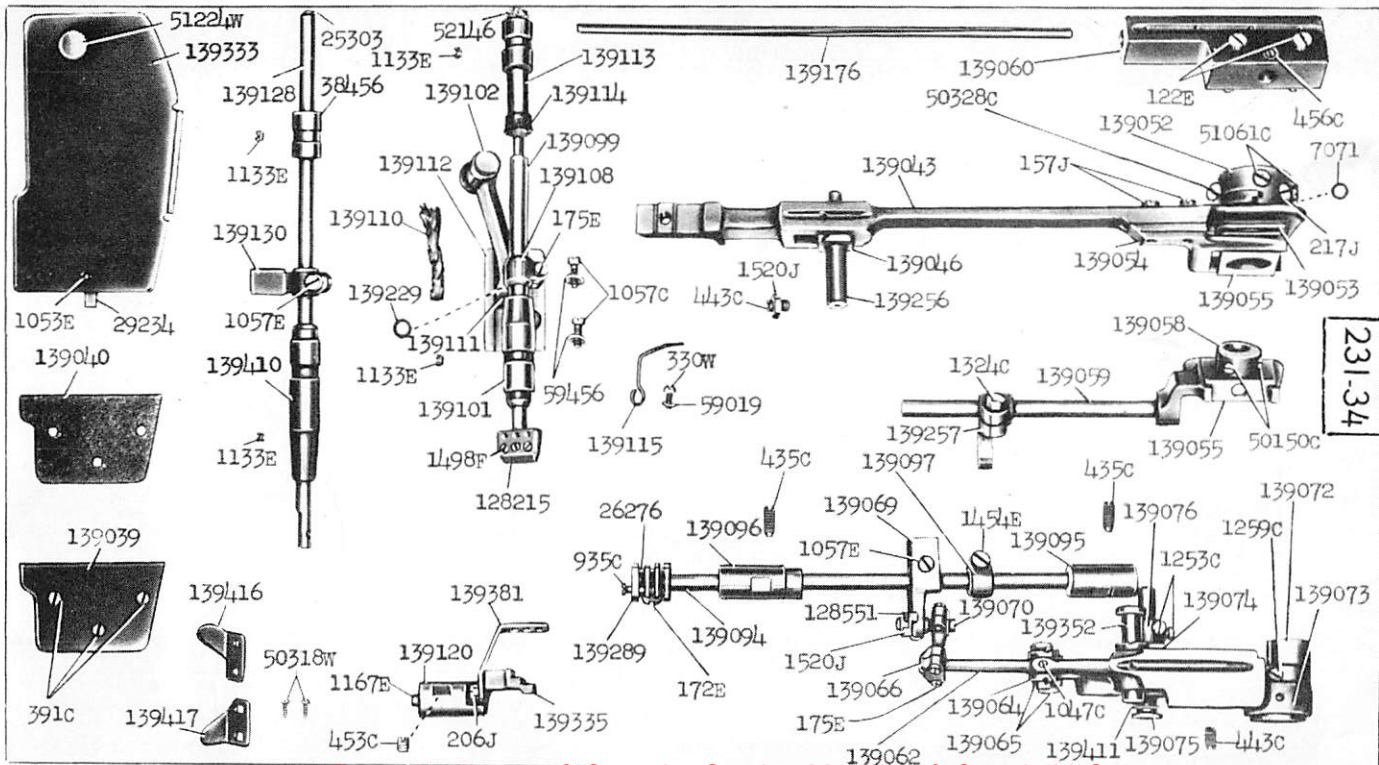




231-33

23098 - 1/3

From the library of: Superior Sewing Machine & Supply LLC



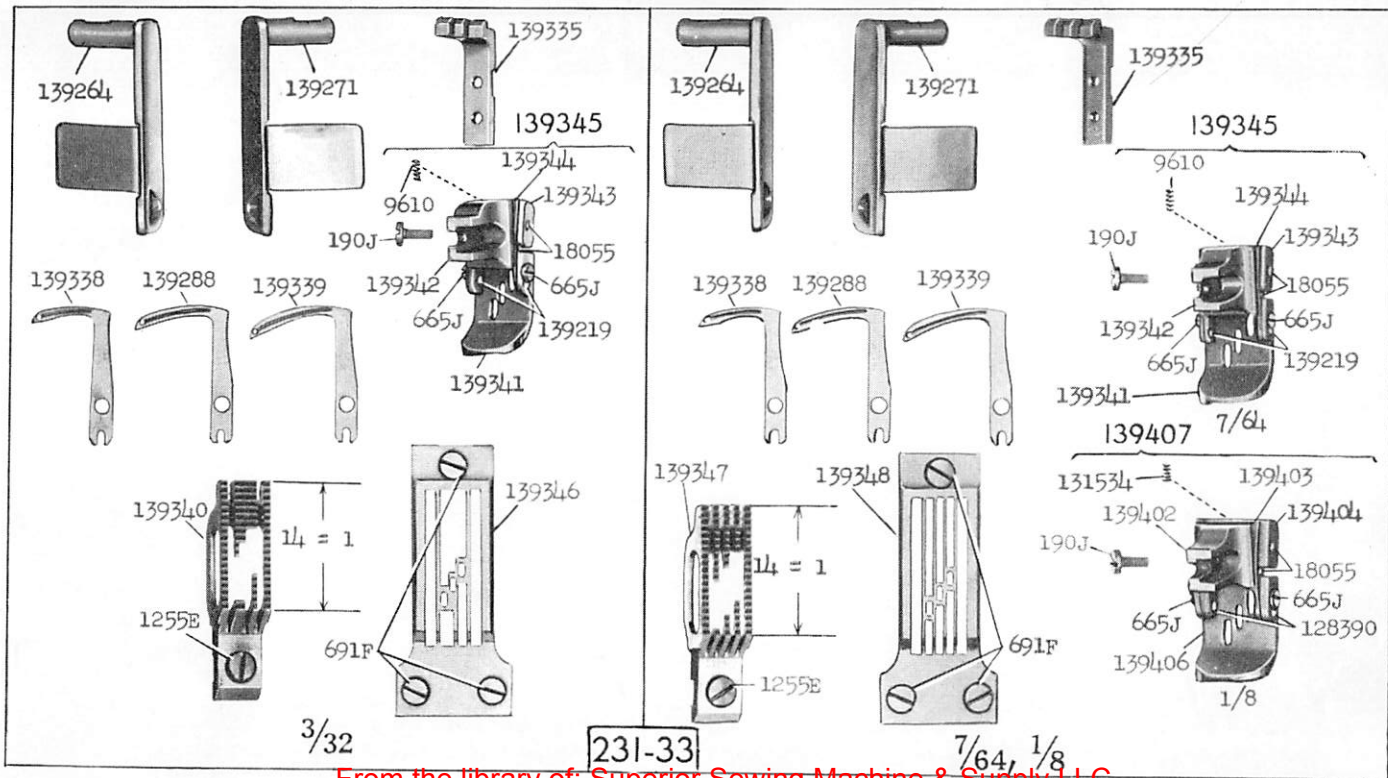
231-34

23099 - 1/3

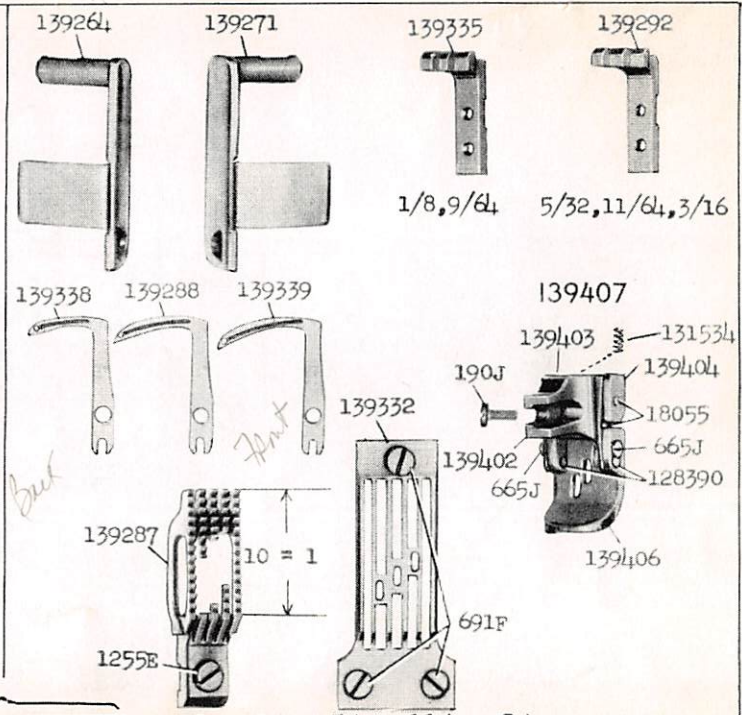
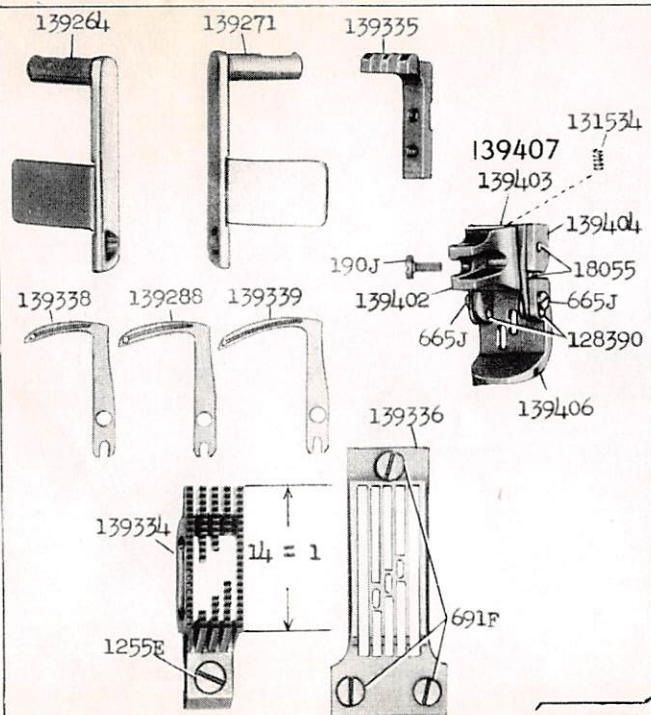
From the library of: Superior Sewing Machine & Supply LLC







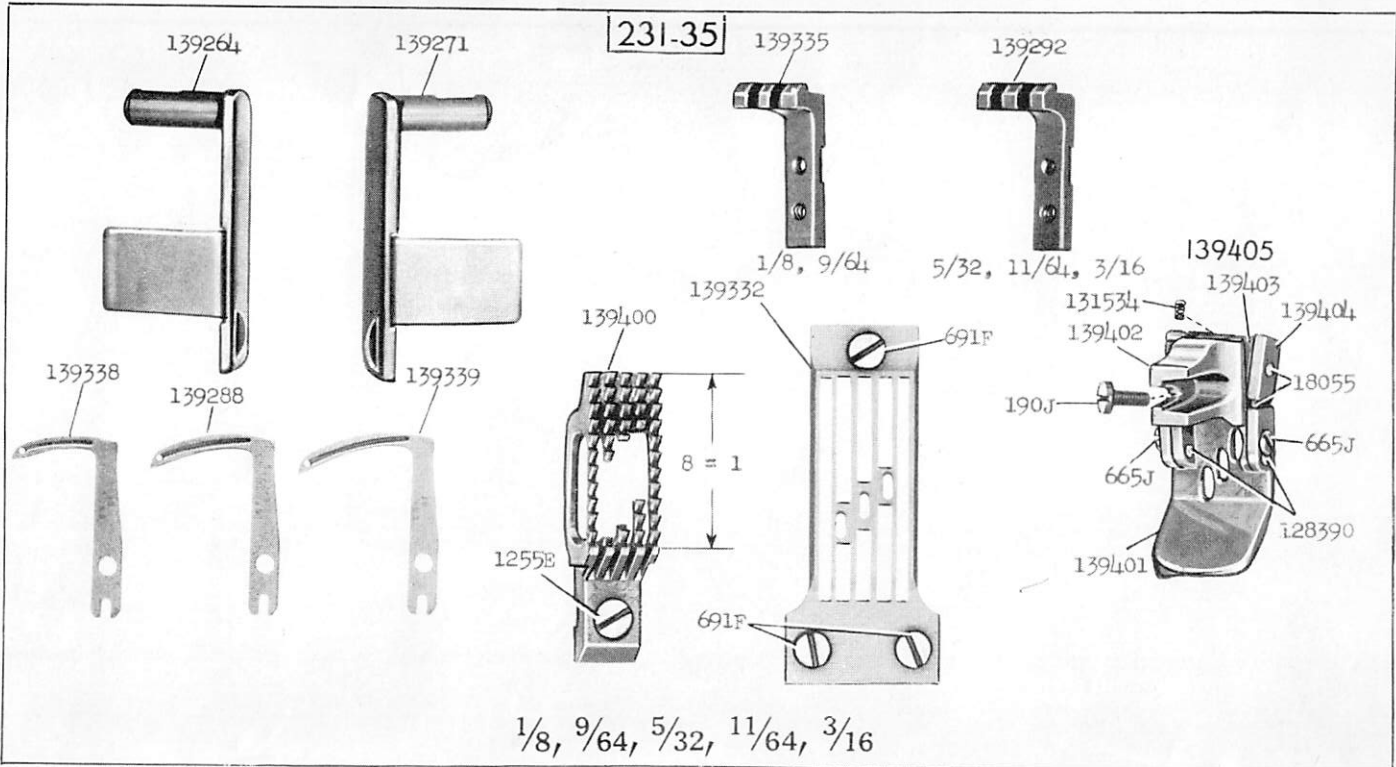
23101 - 1/2



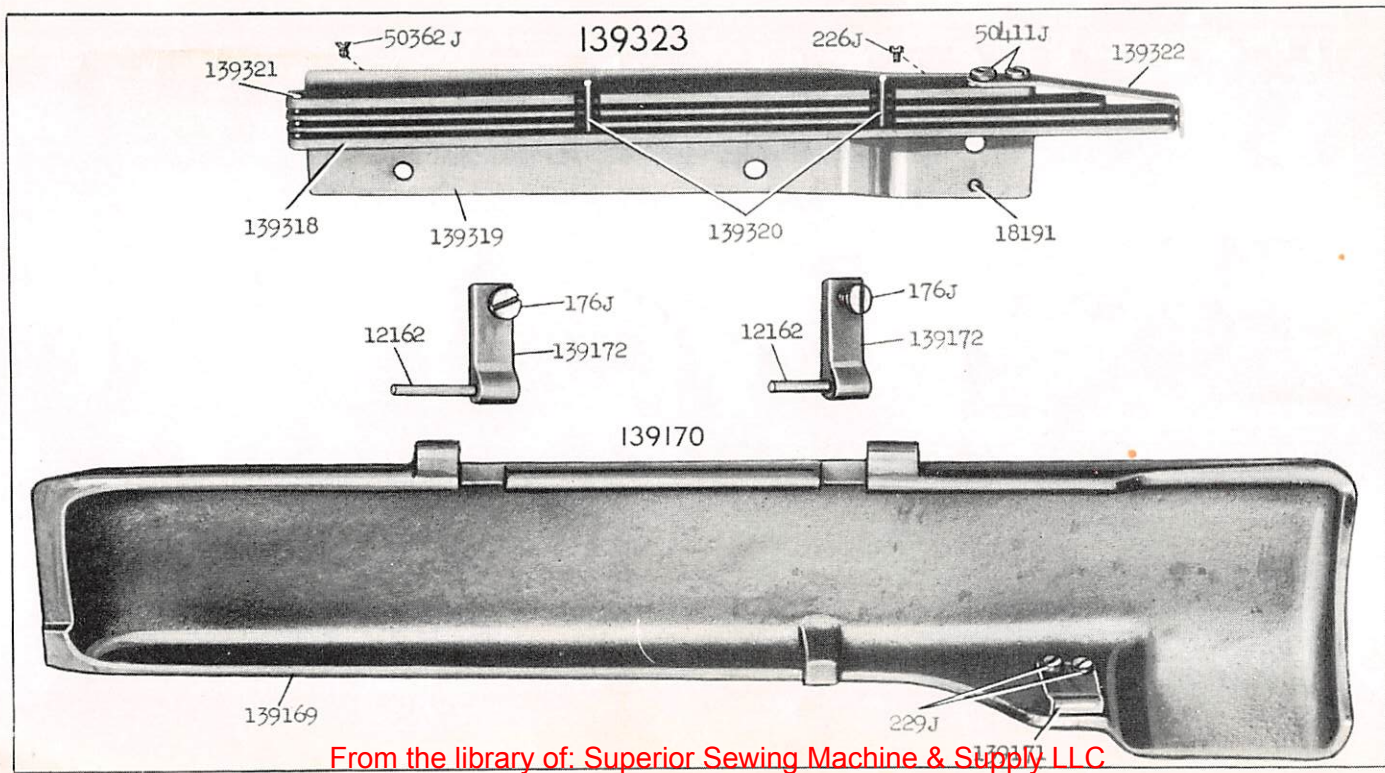
1/8 231 34 231 35 1/8 9/64 5/32 11/64 3/16

23102 - 1/2

231-35



23103 - 2/3



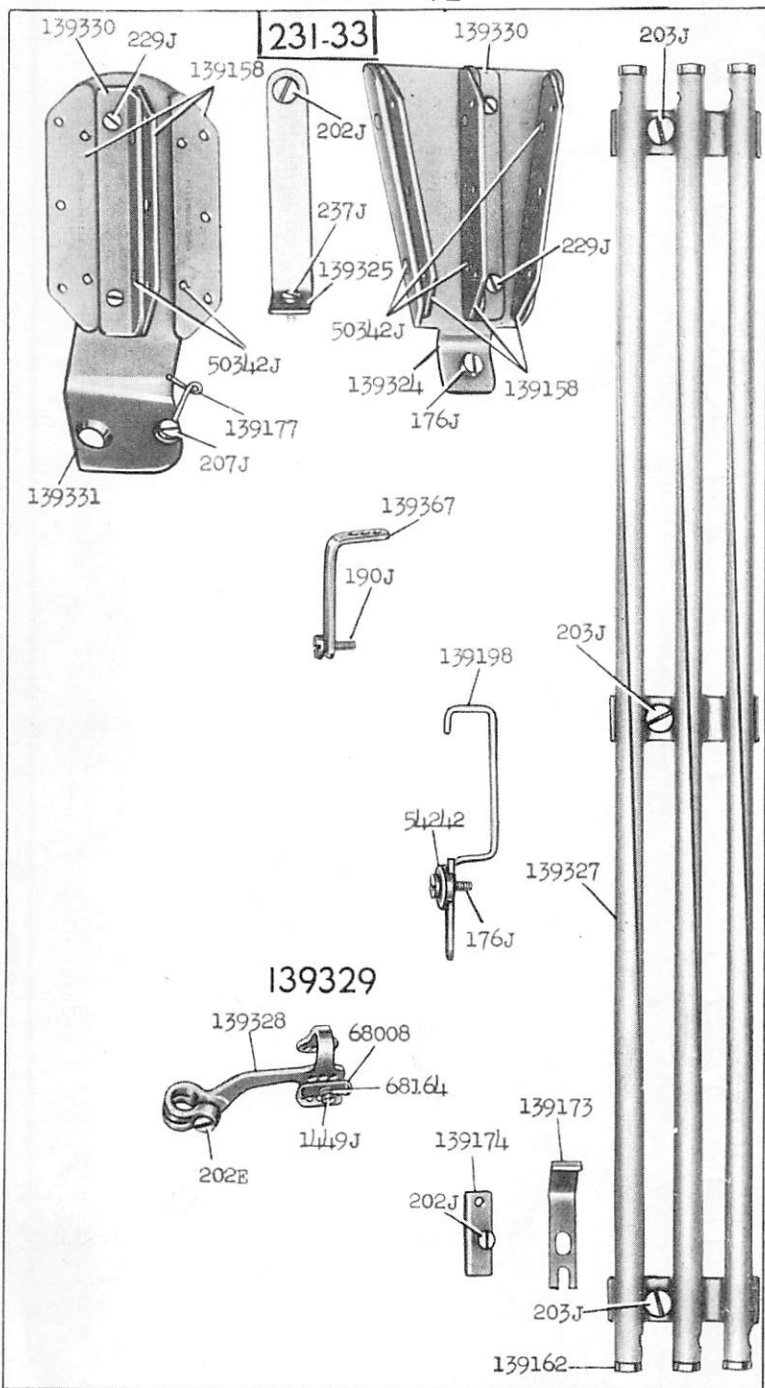
From the library of: Superior Sewing Machine & Supply LLC

23104 - 2/3



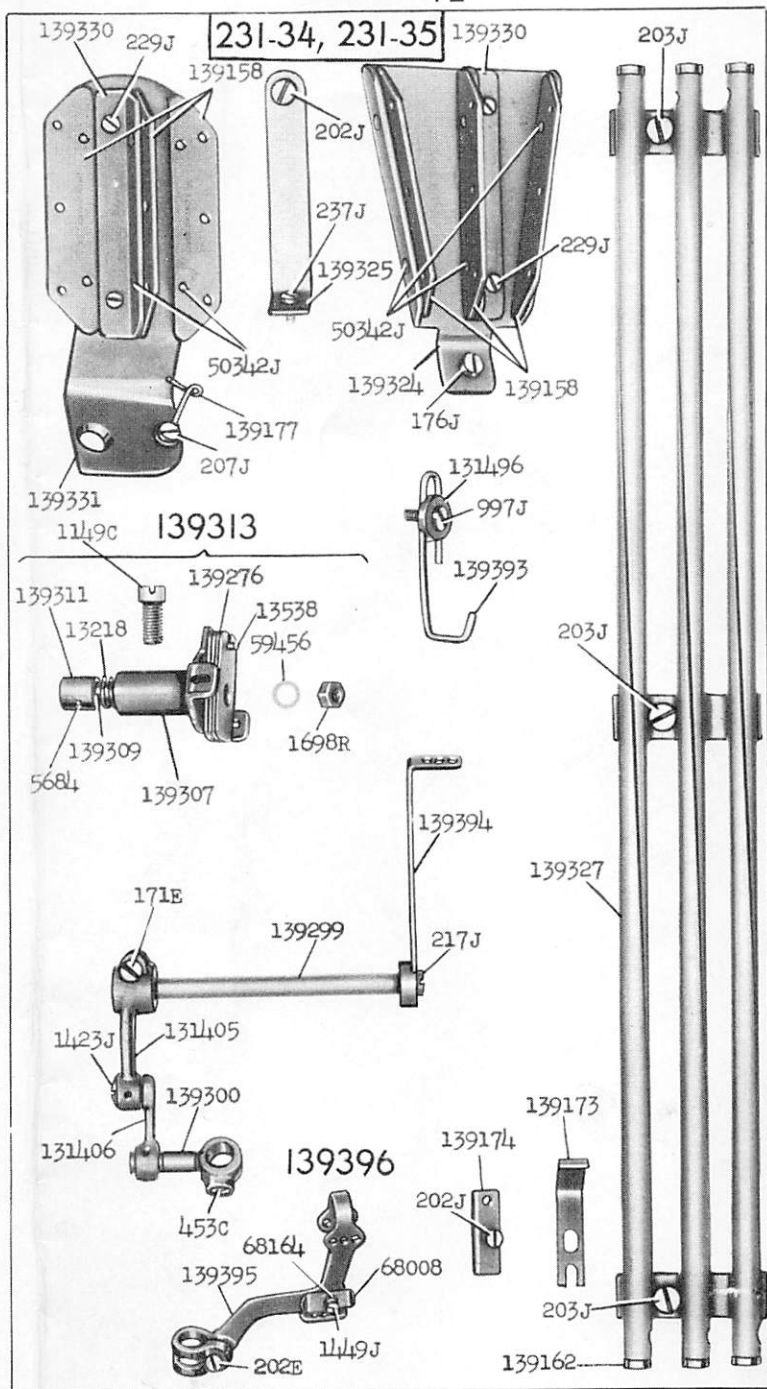
# 23105 - 1/2

## 231-33



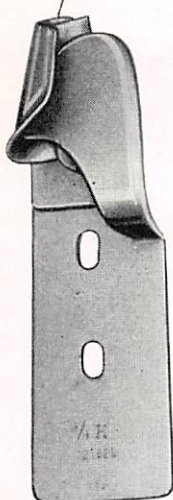


23106 - 1/2

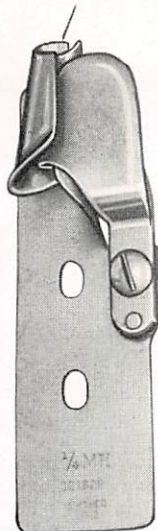




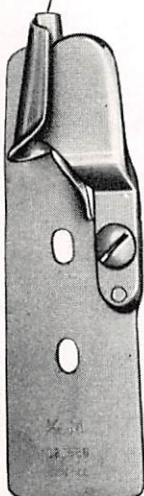
121629



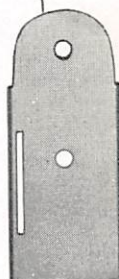
121628



121586



139366



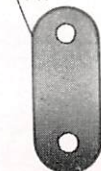
1443B



1443B

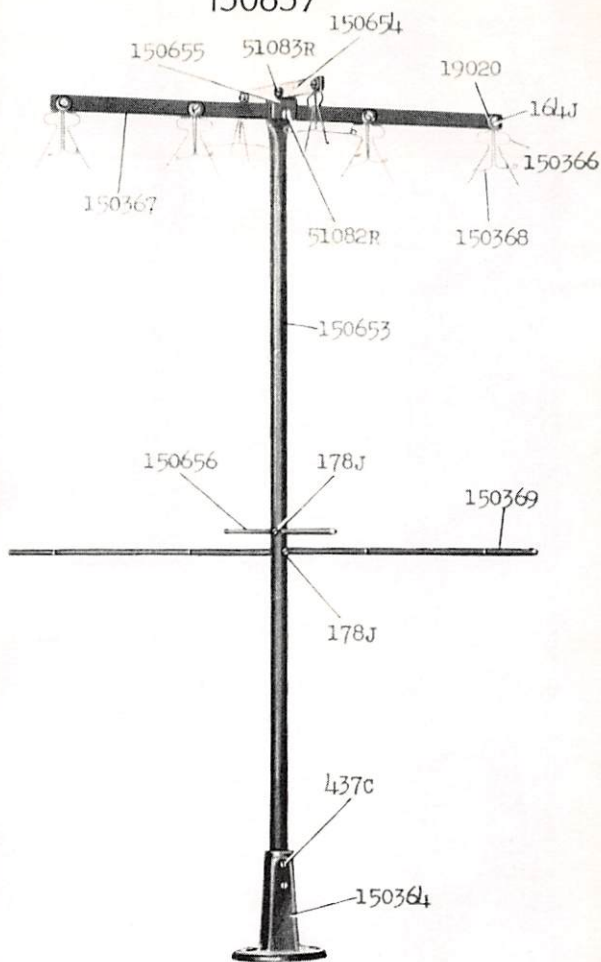


121149

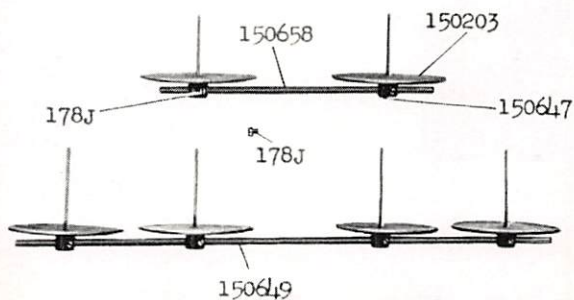


23109 - 1/6

150657



150663



**Genuine Singer Needles should be used  
in Singer Machines.  
These Needles and their Containers  
are marked with the  
Company's Trade Mark "SIMANCO." 1**

**Needles in Containers marked  
"For Singer Machines"  
are not Singer made needles. 2**

Genuine Singer Needles should be used  
in Singer Machines.  
These Needles and their Containers  
are marked with the  
Company's Trade Mark "SIMANCO." 1

Needles in Containers marked  
"For Singer Machines"  
are not Singer made needles. 2



